

SSD1848

Advanced Information

130 x 130 STN
LCD Segment / Common 4G/S Driver with Controller

This document contains information on a new product. Specifications and information herein are subject to change without notice.

<http://www.solomon-systech.com>

SSD1848

Rev 1.3

P 1/61

Apr 2008

Copyright © 2008 **Solomon Systech Limited**



CONTENTS

1	FEATURES	6
2	ORDERING INFORMATION.....	6
4	BLOCK DIAGRAM	7
5	DIE PAD FLOOR PLAN	8
6	PIN DESCRIPTIONS.....	14
6.1	RES	14
6.2	PS0, PS1.....	14
6.3	CS	14
6.4	D/C	14
6.5	R/W (WR)	14
6.6	E(RD)	14
6.7	D0-D7	14
6.8	VDDIO	14
6.9	VDD.....	15
6.10	VSS.....	15
6.11	VCI	15
6.12	RVSS	15
6.13	CVSS	15
6.14	C1P, C1N, C2P, C2N, C3P, C3N, C4P, C4N	15
6.15	VOUT	15
6.16	VL5, VL4, VL3 AND VL2	15
6.17	COM0 – COM129.....	15
6.18	SEG0 – SEG129.....	15
6.19	CL	15
6.20	NC.....	15
6.21	DUMMY.....	16
6.22	ATEST	16
6.23	MICROPROCESSOR INTERFACE LOGIC	17
6.24	RESET CIRCUIT	18
6.25	COMMAND DECODER.....	18
6.26	GRAPHIC DISPLAY DATA RAM (GDDRAM).....	19
6.27	LCD DRIVING VOLTAGE GENERATOR AND REGULATOR	20
6.28	OSCILLATOR CIRCUIT	21
6.29	DISPLAY DATA LATCH	21
6.30	HV BUFFER CELL (LEVEL SHIFTER).....	21
6.31	LEVEL SELECTOR.....	21
6.32	LCD PANEL DRIVING WAVEFORM.....	22
7	COMMAND TABLE.....	23
8	COMMAND DESCRIPTIONS	30
8.1	SET COLUMN ADDRESS (15 H)	30
8.2	SET PAGE ADDRESS (75 H).....	30
8.3	SET COM OUTPUT SCAN DIRECTION (BB H).....	30
8.4	SET DATA OUTPUT SCAN DIRECTION (BC H)	30
8.5	SET GRAYSCALE (BC H).....	31
8.6	SET DISPLAY CONTROL (CA H).....	33

8.7	SET AREA SCROLL (AA H)	33
8.8	SET SCROLL START (AB H)	37
8.9	SET POWER CONTROL REGISTER (20 H).....	37
8.10	SET CONTRAST LEVEL AND INTERNAL REGULATOR RESISTOR RATIO (IR) (81 H)	37
8.11	SET NORMAL/INVERSE DISPLAY (A6/A7 H)	38
8.12	ENTER PARTIAL DISPLAY (A8 H)	38
8.13	EXIT PARTIAL DISPLAY (A9 H)	38
8.14	SET DISPLAY ON/OFF (AF/AE H).....	38
8.15	ENTER/EXIT SLEEP MODE (95/94 H)	39
8.16	ENABLE/DISABLE THE INTERNAL OSCILLATOR (D1/D2 H)	39
8.17	SET TEMPERATURE COMPENSATION COEFFICIENT (82 H).....	39
8.18	NOP (25 H)	39
8.19	WRITE DISPLAY DATA MODE (5C H).....	39
8.20	SET BIASING RATIO (FB H)	39
8.21	SET FRAME FREQUENCY (F2 H)	39
8.22	SET N-LINE INVERSION (F2 H).....	39
8.23	OTP SETTING (F6 H).....	40
8.24	OTP PROGRAMMING (F8 H)	45
8.25	SET 1ST COM LINE (44 H)	45
8.26	READ DISPLAY DATA MODE (5D H)	45
8.27	REGISTER STATUS READ (F9 H).....	45
9	POWER ON/OFF SEQUENCE	46
10	MAXIMUM RATINGS.....	47
11	DC CHARACTERISTICS.....	48
12	AC CHARACTERISTICS.....	49
13	APPLICATION DIAGRAM.....	54
14	PACKAGE INFORMATION.....	58
14.1	DIE TRAY DIMENSIONS.....	58
15	SSD1848U COF DRAWING.....	59

TABLES

TABLE 2-1: ORDERING INFORMATION.....	6
TABLE 5-1: SSD1848 BUMP DIE PAD COORDINATES (BUMP CENTER).....	8
TABLE 7-2: COMMAND TABLE (D/ \overline{C} =0, R/ \overline{W} (\overline{WR})=0, E=1(\overline{RD} = 1) UNLESS SPECIFIC SETTING IS STATED).....	23
TABLE 8-3: EXTENDED COMMAND TABLE.....	27
TABLE 8-4: READ COMMAND TABLE	29
TABLE 8-5: AREA SCROLLING SELECTION MODES.....	33
TABLE 10-1: MAXIMUM RATINGS (VOLTAGE REFERENCED TO VSS).....	47
TABLE 11-1: DC CHARACTERISTICS (UNLESS OTHERWISE SPECIFIED, VOLTAGE REFERENCED TO VSS, V _{DDIO} =V _{DD} =V _{CI} =2.775V, T _A =-40 TO 85°C).....	48
TABLE 12-1: AC CHARACTERISTICS (UNLESS OTHERWISE SPECIFIED, VOLTAGE REFERENCED TO V _{SS} , V _{DDIO} =V _{DD} =V _{CI} =2.775V, T _A = 25°C)	49
TABLE 12-2: PARALLEL 6800-SERIES INTERFACE TIMING CHARACTERISTICS (T _A = -40 TO 85°C, V _{DDIO} =2.775V, 2.775V≤V _{DD} ≤V _{CI} ≤3.3V).....	50
TABLE 12-3: PARALLEL 8080-SERIES INTERFACE TIMING CHARACTERISTICS (T _A = -40 TO 85°C, V _{DDIO} =2.775V, 2.775V≤V _{DD} ≤V _{CI} ≤3.3V).....	51
TABLE 12-4: 4-WIRES SERIAL TIMING CHARACTERISTICS (T _A = -40 TO 85°C, V _{DDIO} =2.775V, 2.775V≤V _{DD} ≤V _{CI} ≤3.3V).....	52
TABLE 12-5: 3-WIRES SERIAL TIMING CHARACTERISTICS (T _A = -40 TO 85°C, V _{DDIO} =2.775V, 2.775V≤V _{DD} ≤V _{CI} ≤3.3V).....	53

FIGURES

FIGURE 4-1: SSD1848 BLOCK DIAGRAM	7
FIGURE 5-1: SSD1848 DIE PAD FLOOR PLAN	8
FIGURE 6-1: DISPLAY DATA	17
FIGURE 6-2: GRAPHIC DISPLAY DATA RAM (GDDRAM) ADDRESS MAP FOR SSD1848 (GS MODE)	19
FIGURE 6-3: GRAPHIC DISPLAY DATA RAM (GDDRAM) ADDRESS MAP FOR SSD1848 (B&W MODE)	20
FIGURE 6-4: OSCILLATOR STRUCTURAL BLOCK DIAGRAM	21
FIGURE 6-5 - ILLUSTRATION OF THE SEGMENT AND COMMON WAVEFORM	22
FIGURE 8-6: COLUMN AND PAGE SCAN DIRECTION	30
FIGURE 8-7: AREA SCROLLING SELECTION MODES	34
FIGURE 8-8: GDDRAM UPDATES FOR AREA SCROLLING.....	35
FIGURE 8-9: EXAMPLE OF CENTER SCROLL MODE.....	36
FIGURE 8-10: CONTRAST CONTROL FLOW SET SEGMENT RE-MAP	37
FIGURE 8-11: CONTRAST CONTROL VOLTAGE RANGE CURVE AT ROOM TEMP WITH PTC = 0.....	38
FIGURE 8-12: PARTIAL DISPLAY MODE.....	38
FIGURE 8-13: CORRECT PROCEDURE FOR OTP	40
FIGURE 8-14: OTP PROGRAMMING CIRCUITRY	42
FIGURE 8-15: FLOW CHART OF OTP PROGRAMMING PROCEDURE.....	43
FIGURE 12-1: PARALLEL 6800-SERIES INTERFACE TIMING CHARACTERISTICS (PS0 = H, PS1 = H)	50
FIGURE 12-2: PARALLEL 8080-SERIES INTERFACE TIMING CHARACTERISTICS (PS0 = H, PS1 = L)	51
FIGURE 12-3: 4-WIRES SERIAL TIMING CHARACTERISTICS (PS0 = L, PS1 = H).....	52
FIGURE 12-4: 3-WIRES SERIAL TIMING CHARACTERISTICS (PS0 = L, PS1 =L)	53
FIGURE 13-1: APPLICATION EXAMPLES I (4-WIRES SPI MODE)	54
FIGURE 13-2: APPLICATION EXAMPLES II (6800 PPI MODE)	55
FIGURE 13-3: BOOSTER CONFIGURATION.....	56
FIGURE 13-4: APPLICATIONS NOTES FOR VDD/VDDIO CONNECTION	57

GENERAL DESCRIPTION

SSD1848 is a single-chip CMOS LCD driver with controller for dot-matrix graphic liquid crystal display system. SSD1848 consists of 260 high-voltage driving output pins for driving maximum 130 Segments, 130 Commons.

SSD1848 consists of 130 x 130 x 2 bits Graphic Display Data RAM (GDDRAM). Data/Commands are sent from common MCU through 8-bit 6800-series / 8080-series compatible Parallel Interface or 3-wires / 4-wires Serial Peripheral Interface by software program selections.

SSD1848 embeds DC-DC Converter, On-Chip Oscillator and Bias Divider to reduce the number of external components. With the advance design, low power consumption, stable LCD operating voltage and flexible die package layout, SSD1848 is suitable for any portable battery-driven applications requiring long operation period with compact size.

1 FEATURES

- Power Supply:
 - $V_{DD} = 2.4V - 3.3V$
 - $V_{DDIO} = 1.7V - V_{DD}$
 - $V_{CI} = V_{DD} - 3.3V$
- LCD Driving Output Voltage: max. $V_{OUT} = +15V$
- Maximum display size: 130 columns by 130 rows
- 8-bit 6800-series / 8080-series Parallel Interface, 3-wires and 4-wires Serial Peripheral Interface
- On-Chip 130 x 130 x 2 = 33,800 bits Graphic Display Data RAM
- Column Re-mapping and RAM Page scan direction control
- Vertical Scrolling by Common
- On-Chip Voltage Generator or External LCD Driving Power Supply Selectable
- Software selectable 4X / 5X / 6X / 7X On-Chip DC-DC Converter
- Programmable LCD Driving Voltage Temperature Compensation Coefficients
- On-Chip Bias Divider with internal compensation capacitors (except V_{OUT})
- Programmable multiplex ratio: 1/16 to 1/128 and 1/130
- Programmable bias ratio: 1/4, 1/5, 1/6, 1/7, 1/8, 1/9, 1/10, 1/11, 1/12, 1/13
- Display Offset Control
- Dual Level Non-Volatile Memory (OTP) for V_{OUT} calibration
- N-line inversion
- 64 Levels Internal Contrast Control

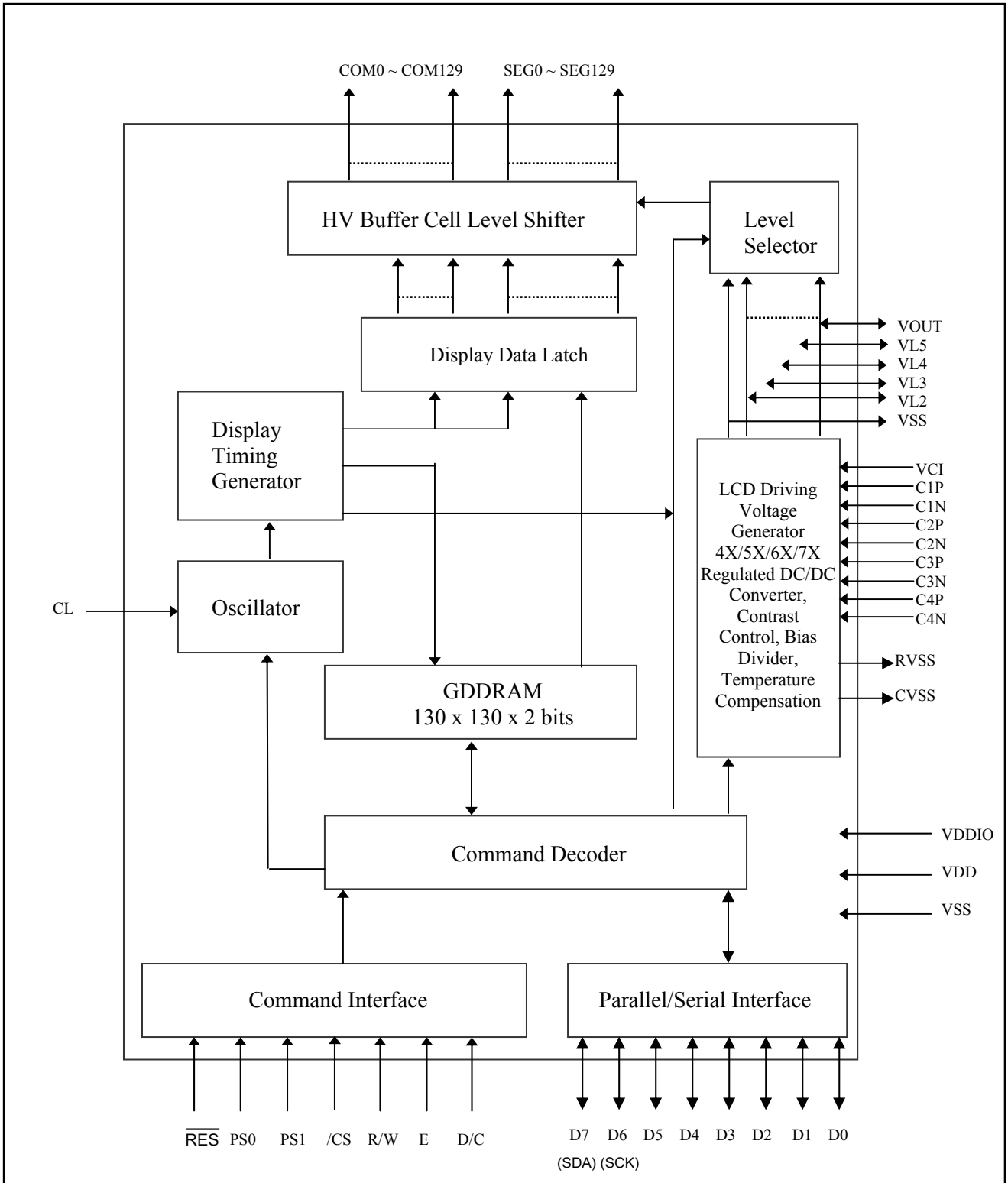
2 ORDERING INFORMATION

Table 2-1: Ordering Information

Ordering Part Number	Package Form	Reference	Remark
SSD1848Z	Gold Bump Die		
SSD1848U	COF		

4 BLOCK DIAGRAM

Figure 4-1: SSD1848 Block Diagram



5 DIE PAD FLOOR PLAN

Figure 5-1: SSD1848 Die Pad Floor Plan

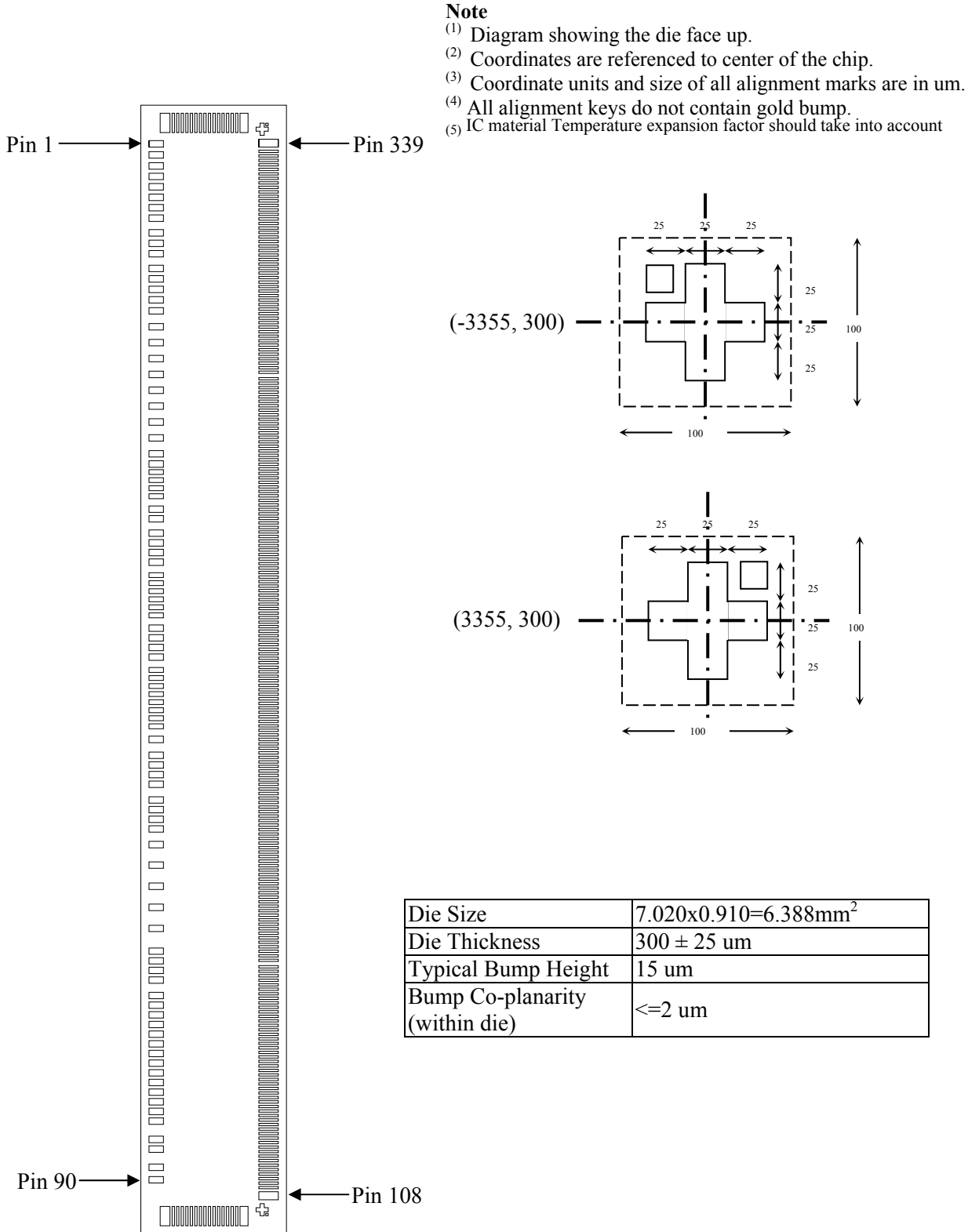


Table 5-1: SSD1848 Bump Die Pad Coordinates (Bump center)

Pad #	Pin Name	X / um	Y / um	Pad #	Pin Name	X / um	Y / um
1	DUMMY	-3264.40	-354.50	49	NC	103.00	-354.50
2	CL	-3195.80	-354.50	50	NC	153.00	-354.50
3	VSS	-3127.20	-354.50	51	NC	203.00	-354.50
4	PS0	-3062.30	-354.50	52	NC	253.00	-354.50
5	VDDIO	-2997.40	-354.50	53	NC	303.00	-354.50
6	PS1	-2932.50	-354.50	54	NC	353.00	-354.50
7	VSS	-2867.60	-354.50	55	RVSS	434.40	-354.50
8	/CS	-2802.70	-354.50	56	VSS	533.10	-354.50
9	/RES	-2711.50	-354.50	57	VSS	593.10	-354.50
10	VDDIO	-2646.60	-354.50	58	VSS	653.10	-354.50
11	D/C	-2581.70	-354.50	59	VSS	713.10	-354.50
12	R/W	-2490.50	-354.50	60	CVSS	810.20	-354.50
13	VSS	-2425.60	-354.50	61	CVSS	870.20	-354.50
14	E	-2360.70	-354.50	62	CVSS	930.20	-354.50
15	VDDIO	-2295.80	-354.50	63	CVSS	990.20	-354.50
16	D0	-2227.10	-354.50	64	VL2	1087.30	-354.50
17	D1	-2128.50	-354.50	65	VL3	1215.10	-354.50
18	D2	-2029.90	-354.50	66	VL4	1346.10	-354.50
19	D3	-1931.30	-354.50	67	VL5	1477.10	-354.50
20	D4	-1832.70	-354.50	68	ATEST	1608.10	-354.50
21	D5	-1734.10	-354.50	69	VOUT	1749.10	-354.50
22	D6	-1635.50	-354.50	70	VOUT	1809.10	-354.50
23	D6	-1536.90	-354.50	71	VOUT	1869.10	-354.50
24	D7	-1438.30	-354.50	72	VOUT	1929.10	-354.50
25	D7	-1339.70	-354.50	73	C4P	2024.60	-354.50
26	VSS	-1276.00	-354.50	74	C4P	2084.60	-354.50
27	NC	-1226.00	-354.50	75	C4N	2144.60	-354.50
28	NC	-1176.00	-354.50	76	C4N	2204.60	-354.50
29	NC	-1126.00	-354.50	77	C3P	2264.60	-354.50
30	NC	-1076.00	-354.50	78	C3P	2324.60	-354.50
31	VDDIO	-995.60	-354.50	79	C3N	2384.60	-354.50
32	VDDIO	-935.60	-354.50	80	C3N	2444.60	-354.50
33	VDD	-846.60	-354.50	81	C2P	2504.60	-354.50
34	VDD	-786.60	-354.50	82	C2P	2564.60	-354.50
35	VDD	-726.60	-354.50	83	C2N	2624.60	-354.50
36	VDD	-666.60	-354.50	84	C2N	2684.60	-354.50
37	NC	-586.20	-354.50	85	C1P	2744.60	-354.50
38	NC	-536.20	-354.50	86	C1P	2804.60	-354.50
39	NC	-486.20	-354.50	87	C1N	2918.20	-354.50
40	VSS	-436.20	-354.50	88	C1N	2978.20	-354.50
41	NC	-386.20	-354.50	89	DUMMY	3091.60	-354.50
42	NC	-336.20	-354.50	90	DUMMY	3168.95	-354.50
43	VCI	-256.80	-354.50	91	DUMMY	3394.45	-299.77
44	VCI	-196.80	-354.50	92	COM0	3394.45	-249.27
45	VCI	-136.80	-354.50	93	COM1	3394.45	-221.27
46	VCI	-76.80	-354.50	94	COM2	3394.45	-193.27
47	NC	3.00	-354.50	95	COM3	3394.45	-165.27
48	NC	53.00	-354.50	96	COM4	3394.45	-137.27

Pad #	Pin Name	X / um	Y / um	Pad #	Pin Name	X / um	Y / um
97	COM5	3394.45	-109.27	145	COM51	2210.00	339.50
98	COM6	3394.45	-81.27	146	COM52	2182.00	339.50
99	COM7	3394.45	-53.27	147	COM53	2154.00	339.50
100	COM8	3394.45	-25.27	148	COM54	2126.00	339.50
101	COM9	3394.45	2.73	149	COM55	2098.00	339.50
102	COM10	3394.45	30.73	150	COM56	2070.00	339.50
103	COM11	3394.45	58.73	151	COM57	2042.00	339.50
104	COM12	3394.45	86.73	152	COM58	2014.00	339.50
105	COM13	3394.45	114.73	153	COM59	1986.00	339.50
106	COM14	3394.45	142.73	154	COM60	1958.00	339.50
107	DUMMY	3394.45	188.23	155	COM61	1930.00	339.50
108	DUMMY	3268.50	339.50	156	COM62	1902.00	339.50
109	COM15	3218.00	339.50	157	COM63	1874.00	339.50
110	COM16	3190.00	339.50	158	COM64	1846.00	339.50
111	COM17	3162.00	339.50	159	SEG129	1806.00	339.50
112	COM18	3134.00	339.50	160	SEG128	1778.00	339.50
113	COM19	3106.00	339.50	161	SEG127	1750.00	339.50
114	COM20	3078.00	339.50	162	SEG126	1722.00	339.50
115	COM21	3050.00	339.50	163	SEG125	1694.00	339.50
116	COM22	3022.00	339.50	164	SEG124	1666.00	339.50
117	COM23	2994.00	339.50	165	SEG123	1638.00	339.50
118	COM24	2966.00	339.50	166	SEG122	1610.00	339.50
119	COM25	2938.00	339.50	167	SEG121	1582.00	339.50
120	COM26	2910.00	339.50	168	SEG120	1554.00	339.50
121	COM27	2882.00	339.50	169	SEG119	1526.00	339.50
122	COM28	2854.00	339.50	170	SEG118	1498.00	339.50
123	COM29	2826.00	339.50	171	SEG117	1470.00	339.50
124	COM30	2798.00	339.50	172	SEG116	1442.00	339.50
125	COM31	2770.00	339.50	173	SEG115	1414.00	339.50
126	COM32	2742.00	339.50	174	SEG114	1386.00	339.50
127	COM33	2714.00	339.50	175	SEG113	1358.00	339.50
128	COM34	2686.00	339.50	176	SEG112	1330.00	339.50
129	COM35	2658.00	339.50	177	SEG111	1302.00	339.50
130	COM36	2630.00	339.50	178	SEG110	1274.00	339.50
131	COM37	2602.00	339.50	179	SEG109	1246.00	339.50
132	COM38	2574.00	339.50	180	SEG108	1218.00	339.50
133	COM39	2546.00	339.50	181	SEG107	1190.00	339.50
134	COM40	2518.00	339.50	182	SEG106	1162.00	339.50
135	COM41	2490.00	339.50	183	SEG105	1134.00	339.50
136	COM42	2462.00	339.50	184	SEG104	1106.00	339.50
137	COM43	2434.00	339.50	185	SEG103	1078.00	339.50
138	COM44	2406.00	339.50	186	SEG102	1050.00	339.50
139	COM45	2378.00	339.50	187	SEG101	1022.00	339.50
140	COM46	2350.00	339.50	188	SEG100	994.00	339.50
141	COM47	2322.00	339.50	189	SEG99	966.00	339.50
142	COM48	2294.00	339.50	190	SEG98	938.00	339.50
143	COM49	2266.00	339.50	191	SEG97	910.00	339.50
144	COM50	2238.00	339.50	192	SEG96	882.00	339.50

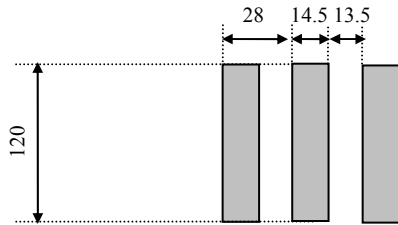
Pad #	Pin Name	X / um	Y / um	Pad #	Pin Name	X / um	Y / um
193	SEG95	854.00	339.50	241	SEG47	-490.00	339.50
194	SEG94	826.00	339.50	242	SEG46	-518.00	339.50
195	SEG93	798.00	339.50	243	SEG45	-546.00	339.50
196	SEG92	770.00	339.50	244	SEG44	-574.00	339.50
197	SEG91	742.00	339.50	245	SEG43	-602.00	339.50
198	SEG90	714.00	339.50	246	SEG42	-630.00	339.50
199	SEG89	686.00	339.50	247	SEG41	-658.00	339.50
200	SEG88	658.00	339.50	248	SEG40	-686.00	339.50
201	SEG87	630.00	339.50	249	SEG39	-714.00	339.50
202	SEG86	602.00	339.50	250	SEG38	-742.00	339.50
203	SEG85	574.00	339.50	251	SEG37	-770.00	339.50
204	SEG84	546.00	339.50	252	SEG36	-798.00	339.50
205	SEG83	518.00	339.50	253	SEG35	-826.00	339.50
206	SEG82	490.00	339.50	254	SEG34	-854.00	339.50
207	SEG81	462.00	339.50	255	SEG33	-882.00	339.50
208	SEG80	434.00	339.50	256	SEG32	-910.00	339.50
209	SEG79	406.00	339.50	257	SEG31	-938.00	339.50
210	SEG78	378.00	339.50	258	SEG30	-966.00	339.50
211	SEG77	350.00	339.50	259	SEG29	-994.00	339.50
212	SEG76	322.00	339.50	260	SEG28	-1022.00	339.50
213	SEG75	294.00	339.50	261	SEG27	-1050.00	339.50
214	SEG74	266.00	339.50	262	SEG26	-1078.00	339.50
215	SEG73	238.00	339.50	263	SEG25	-1106.00	339.50
216	SEG72	210.00	339.50	264	SEG24	-1134.00	339.50
217	SEG71	182.00	339.50	265	SEG23	-1162.00	339.50
218	SEG70	154.00	339.50	266	SEG22	-1190.00	339.50
219	SEG69	126.00	339.50	267	SEG21	-1218.00	339.50
220	SEG68	98.00	339.50	268	SEG20	-1246.00	339.50
221	SEG67	70.00	339.50	269	SEG19	-1274.00	339.50
222	SEG66	42.00	339.50	270	SEG18	-1302.00	339.50
223	SEG65	14.00	339.50	271	SEG17	-1330.00	339.50
224	SEG64	-14.00	339.50	272	SEG16	-1358.00	339.50
225	SEG63	-42.00	339.50	273	SEG15	-1386.00	339.50
226	SEG62	-70.00	339.50	274	SEG14	-1414.00	339.50
227	SEG61	-98.00	339.50	275	SEG13	-1442.00	339.50
228	SEG60	-126.00	339.50	276	SEG12	-1470.00	339.50
229	SEG59	-154.00	339.50	277	SEG11	-1498.00	339.50
230	SEG58	-182.00	339.50	278	SEG10	-1526.00	339.50
231	SEG57	-210.00	339.50	279	SEG9	-1554.00	339.50
232	SEG56	-238.00	339.50	280	SEG8	-1582.00	339.50
233	SEG55	-266.00	339.50	281	SEG7	-1610.00	339.50
234	SEG54	-294.00	339.50	282	SEG6	-1638.00	339.50
235	SEG53	-322.00	339.50	283	SEG5	-1666.00	339.50
236	SEG52	-350.00	339.50	284	SEG4	-1694.00	339.50
237	SEG51	-378.00	339.50	285	SEG3	-1722.00	339.50
238	SEG50	-406.00	339.50	286	SEG2	-1750.00	339.50
239	SEG49	-434.00	339.50	287	SEG1	-1778.00	339.50
240	SEG48	-462.00	339.50	288	SEG0	-1806.00	339.50

Pad #	Pin Name	X / um	Y / um	Pad #	Pin Name	X / um	Y / um
289	COM65	-1846.00	339.50	337	COM113	-3190.00	339.50
290	COM66	-1874.00	339.50	338	COM114	-3218.00	339.50
291	COM67	-1902.00	339.50	339	DUMMY	-3268.50	339.50
292	COM68	-1930.00	339.50	340	DUMMY	-3394.45	188.23
293	COM69	-1958.00	339.50	341	COM115	-3394.45	142.73
294	COM70	-1986.00	339.50	342	COM116	-3394.45	114.73
295	COM71	-2014.00	339.50	343	COM117	-3394.45	86.73
296	COM72	-2042.00	339.50	344	COM118	-3394.45	58.73
297	COM73	-2070.00	339.50	345	COM119	-3394.45	30.73
298	COM74	-2098.00	339.50	346	COM120	-3394.45	2.73
299	COM75	-2126.00	339.50	347	COM121	-3394.45	-25.27
300	COM76	-2154.00	339.50	348	COM122	-3394.45	-53.27
301	COM77	-2182.00	339.50	349	COM123	-3394.45	-81.27
302	COM78	-2210.00	339.50	350	COM124	-3394.45	-109.27
303	COM79	-2238.00	339.50	351	COM125	-3394.45	-137.27
304	COM80	-2266.00	339.50	352	COM126	-3394.45	-165.27
305	COM81	-2294.00	339.50	353	COM127	-3394.45	-193.27
306	COM82	-2322.00	339.50	354	COM128	-3394.45	-221.27
307	COM83	-2350.00	339.50	355	COM129	-3394.45	-249.27
308	COM84	-2378.00	339.50	356	DUMMY	-3394.45	-299.77
309	COM85	-2406.00	339.50				
310	COM86	-2434.00	339.50				
311	COM87	-2462.00	339.50				
312	COM88	-2490.00	339.50				
313	COM89	-2518.00	339.50				
314	COM90	-2546.00	339.50				
315	COM91	-2574.00	339.50				
316	COM92	-2602.00	339.50				
317	COM93	-2630.00	339.50				
318	COM94	-2658.00	339.50				
319	COM95	-2686.00	339.50				
320	COM96	-2714.00	339.50				
321	COM97	-2742.00	339.50				
322	COM98	-2770.00	339.50				
323	COM99	-2798.00	339.50				
324	COM100	-2826.00	339.50				
325	COM101	-2854.00	339.50				
326	COM102	-2882.00	339.50				
327	COM103	-2910.00	339.50				
328	COM104	-2938.00	339.50				
329	COM105	-2966.00	339.50				
330	COM106	-2994.00	339.50				
331	COM107	-3022.00	339.50				
332	COM108	-3050.00	339.50				
333	COM109	-3078.00	339.50				
334	COM110	-3106.00	339.50				
335	COM111	-3134.00	339.50				
336	COM112	-3162.00	339.50				

Min. Pad Pitch	28um
Bump Size	1,740um ²
Bump Width Tolerance	± 2um

Bump Size		
Pad #	X [um]	Y [um]
1-26, 31-36, 43-46, 55-90	40	89
27-30, 37- 42, 47-54	30	89
91, 356	120	60
92-106, 341-355	120	14.5
107, 340	120	50
108, 339	50	120
109-338	14.5	120

Output Pad Pitch (um)



6 PIN DESCRIPTIONS

6.1 \overline{RES}

This pin is reset signal input. When the pin is low, initialization of the chip is executed.

6.2 PS0, PS1

PS0 and PS1 determine the interface protocol between the driver and MCU. Refer to the following table for details.

PS0	PS1	Interface
L	L	3-wire SPI (write only)
L	H	4-wire SPI (write only)
H	L	8080 parallel interface (read and write allowed)
H	H	6800 parallel interface (read and write allowed)

Note: The above H refers to either VDDIO while L refers VSS

6.3 \overline{CS}

This pin is chip select input. The chip is enabled for display data/command transfer only when \overline{CS} is low. A capacitor is suggested to be added between \overline{CS} and VSS for noise filtering when necessary.

6.4 $\overline{D/C}$

This input pin is to identify display data/command cycle. When the pin is high, the data written to the driver will be written into display RAM. When the pin is low, the data will be interpreted as command. This pin must be connected to VSS when 3-lines SPI interface is used.

6.5 $\overline{R/W}$ (\overline{WR})

This pin is MCU interface input. When 6800 interface mode is selected, this pin will be used as Read/Write ($\overline{R/W}$) selection input. Read mode will be carried out when this pin is pulled high and write mode when this pin is pulled low.

When 8080 interface mode is selected, this pin is the Write (\overline{WR}) control signal input. Data write operation is initiated when this pin is pulled low and the chip is selected.

6.6 \overline{E} (\overline{RD})

This pin is MCU interface input. When 6800 interface mode is selected, this pin will be used as the Enable (E) signal. Read/ write operation is initiated when this pin is pulled high and the chip is selected.

When 8080 interface mode is selected, this pin is the Read (\overline{RD}) control signal input. Data read operation is initiated when this pin is pulled low and the chip is selected.

6.7 D0-D7

These pins are 8-bit bi-directional data/command bus to be connected to the microprocessor's data bus. When serial mode is selected, D7 is the serial data input SDA, D6 is the serial clock input SCK and D0~D5 should be connected to VDDIO.

6.8 VDDIO

This pin is the system power supply pin of bus IO buffer. Please refer to Figure 13-4 on page 55 for connection example.

6.9 VDD

This pin is the system power supply pin of the logic block.

6.10 VSS

This is a logic ground pin. It must connect to GND from external supply.

6.11 VCI

Reference voltage input for internal DC-DC converter. The voltage of generated VOUT equals to the multiple factor (4X, 5X, 6X or 7X) times VCI with respect to VSS.

Note: voltage at this input pin must be larger than or equal to VDD.

6.12 RVSS

This pin is the ground for internal voltage regulator. It must connect to GND from external supply.

6.13 CVSS

This is an analog ground pin. It must connect to GND from external supply.

6.14 C1P, C1N, C2P, C2N, C3P, C3N, C4P, C4N

Connect an external capacitor to these pins when 4X, 5X, 6X or 7X DC-DC Converter Factor is set. Please refer to Figure 13-3 for booster configuration.

6.15 VOUT

This pin is the most positive LCD driving voltage. It can be supplied externally or generated by the internal regulator.

6.16 VL5, VL4, VL3 and VL2

These are LCD driving voltages. These pins should NOT be connected to any signal pins nor shorted together. They should be left open. They have the following relationship:

$VOUT > VL5 > VL4 > VL3 > VL2 > VSS$

	1:a bias
VL5	$(a-1)/a * VOUT$
VL4	$(a-2)/a * VOUT$
VL3	$2/a * VOUT$
VL2	$1/a * VOUT$

6.17 COM0 – COM129

These pins provide the row driving signal COM0 – COM129 to the LCD panel.

6.18 SEG0 – SEG129

These pins provide the column driving signal SEG0 – SEG129. Their voltage level is VSS during sleep mode and standby mode.

6.19 CL

This pin is the external clock input (The logic high value is VDDIO) for the device if external clock mode is selected by software command. Under POR operation, this pin should be left opened and internal oscillator will be used after power on reset.

6.20 NC

These No Connection pins should NOT be connected to any signal pins nor shorted together. They should be left open.

6.21 DUMMY

This pin is a floating dummy pin with no internal circuit connection.

6.22 ATEST

Test pin. No connection for this pin.

FUNCTIONAL BLOCK DESCRIPTIONS

6.23 Microprocessor Interface Logic

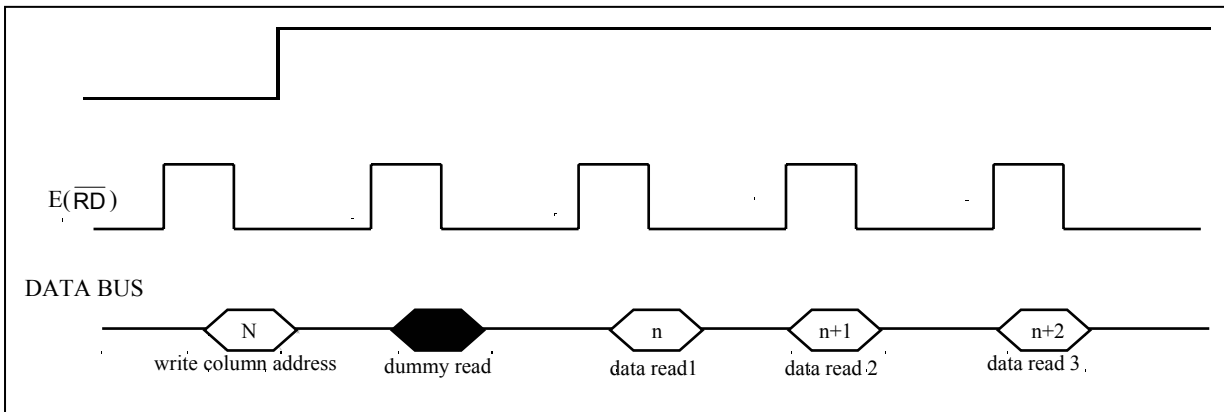
The Microprocessor Interface unit consists of three functional blocks for driving the 6800-series parallel interface, 8080-series parallel interface, 3-lines serial peripheral interface and 4-lines serial peripheral interface. The selection of different interface is done by PS0 to PS1 pins. Please refer to the pin descriptions on page 14.

MPU Parallel 6800-series Interface

The parallel Interface consists of 8 bi-directional data pins ($D_7 - D_0$), R/\overline{W} , D/\overline{C} , E, \overline{CS} . R/\overline{W} (\overline{WR}) input high indicates a read operation from the Graphical Display Data RAM (GDDRAM) or the status register. R/\overline{W} input low indicates a write operation to Display Data RAM or Internal Command Registers depending on the status of D/\overline{C} input. The E input serves as data latch signal (clock) when high provided that \overline{CS} is low. Please refer to Figure 12-1 on page 50 for Parallel Interface Timing Diagram of 6800-series microprocessors.

In order to match the operating frequency of the GDDRAM with that of the MCU, some pipeline processing is internally performed which requires the insertion of a dummy read before the first actual display data read. This is shown in the following figure.

Figure 6-1: Display Data



MPU Parallel 8080-series Interface

The parallel interface consists of 8 bi-directional data pins $D_7 - D_0$, \overline{RD} , \overline{WR} , D/\overline{C} , \overline{CS} . \overline{RD} input serves as data read latch signal (clock) when low provided that \overline{CS} is low. Whether reading the display data from GDDRAM or reading the status from the status register is controlled by D/\overline{C} . \overline{WR} input serves as data write latch signal (clock) when low provided that \overline{CS} is low. Whether writing the display data to the GDDRAM or writing the command to the command register is controlled by D/\overline{C} . A dummy read is also required before the first actual display data read for 8080-series interface. Please refer to Figure 12-2 on page 51 for Parallel Interface Timing Diagram of 8080-series microprocessors

MPU 4-wires Serial Peripheral Interface

The 4-wires serial peripheral Interface consists of serial clock SCK, serial data SDA, D/\overline{C} , \overline{CS} . SDA is shifted into 8-bit shift register on every rising edge of SCK in the order of data bit 7, data bit 6 data bit 0. D/\overline{C} is sampled on every eighth clock to determine whether the data byte in the shift register is written to the Display Data RAM or command register at the same clock. Please refer to Figure 12-3 on page 52 for 4-wires serial interface timing.

MPU 3-wires Serial Peripheral Interface

The operation is similar to 4-wires serial peripheral interface while D/\bar{C} is not used. There are altogether 9-bits will be shifted into the shift register on every ninth clock in sequence: D/\bar{C} bit, D7 to D0 bit. The D/\bar{C} bit (first bit of the sequential data) will determine the following data byte in the shift register is written to the Display Data RAM (D/\bar{C} bit = 1) or the command register (D/\bar{C} bit = 0). Please refer to Figure 12-4 on page 53 for 3-wires serial interface timing.

6.24 Reset Circuit

This block is integrated into the Microprocessor Interface Logic which includes Power On Reset circuitry and the hardware reset pin, \overline{RES} . Both of these having the same reset function. Once the \overline{RES} pin receives a negative reset pulse, all internal circuitry will start to initialize. The minimum pulse width for completing the reset sequence is 10us. The status of the chip after reset is given by:

When \overline{RES} input is low, the chip is initialized to the following:

1. Display ON/OFF:	Display is OFF
2. Normal/Inverse Display:	Normal Display
3. COM Scan Direction:	COM0 → COM129
4. Internal Oscillator:	Disable
5. Reference Voltage Generation Circuit:	Disable
6. Voltage regulator and Voltage Follower:	Disable
7. Booster level:	6X
8. Bias ratio:	1/13
9. Multiplex ratio:	130 Mux
10. Contrast Level:	20hex
11. Internal regulator gain:	3.38(IRS=0)
12. Average temperature gradient:	TC0
13. Partial display mode:	Disable
Start COM address:	0
End COM address:	0
14. Area Scroll set	
Top block address:	0
Bottom block address:	0
Number of specified block:	0
Area scroll mode:	Whole screen scroll mode
15. Scroll start set	
Start block address:	0
16. Data Scan Direction	
Normal/inverse display of page address:	Normal
Normal/inverse display of column address:	Normal
Address-scan direction:	Column direction
Grayscale setup:	PWM (0%, 33%, 66%, 100%)
17. Start Page Address set:	0
18. End Page Address set:	0
19. Start Column address set:	0
20. End Column address set:	0

6.25 Command Decoder

This module determines whether the input data is interpreted as data or command. Data is directed to this module based upon the input of the D/\bar{C} pin. If D/\bar{C} pin is high, data is written to Graphic Display data RAM (GDDRAM). If it is low, the input at $D_7 - D_0$ is interpreted as a Command and it will be decoded. The decoded command will be written to the corresponding command register.

6.26 Graphic Display Data RAM (GDDRAM)

The GDDRAM is a bit mapped static RAM holding the bit pattern to be displayed. The size of the RAM is 130 x 130 x 2 = 33,800bits. Figure 6-2on page 19 is a description of the GDDRAM address map. For mechanical flexibility, re-mapping on both Segment and Common outputs can be selected by software. Please refer to the command “Data Output/Scan direction” for detail description.

Four pages of display data form a RAM address block and stored in the GDDRAM. Each block will form the fundamental units of scrolling addresses. Various types of area scrolling can be performed by software program according to the command “Set area Scroll” and “Set Scroll Start”.

Figure 6-2: Graphic Display Data RAM (GDDRAM) Address Map for SSD1848 (GS mode)

		Column																													
LCD Read Direction ▼	P11 = 0	0				1				30				31				32												
	P11 = 1	32				31				2				1				0												
	Page	D7	D5	D3	D1	D7	D5	D3	D1	D7	D5	D3	D1	D7	D5	D3	D1	D7	D5	COMMON OUTPUTS										
BLOCK	P10 = 0	P10 = 1	D6	D4	D2	D0	D6	D4	D2	D0	D6	D4	D2	D0	D6	D4	D2	D0	D6	D4	COM0									
0	0	129																			COM1									
	1	128																			COM2									
	2	127																			COM3									
	3	126																			COM4									
1	4	125																			COM5									
	5	124																			COM6									
	6	123																			COM7									
	7	122																			COM8									
⋮	⋮	⋮									⋮											⋮									
30	120	9																			COM120									
	121	8																			COM121									
	122	7																			COM122									
	123	6																			COM123									
31	124	5																			COM124									
	125	4																			COM125									
	126	3																			COM126									
	127	2																			COM127									
32	128	1																			COM128									
	129	0																			COM129									

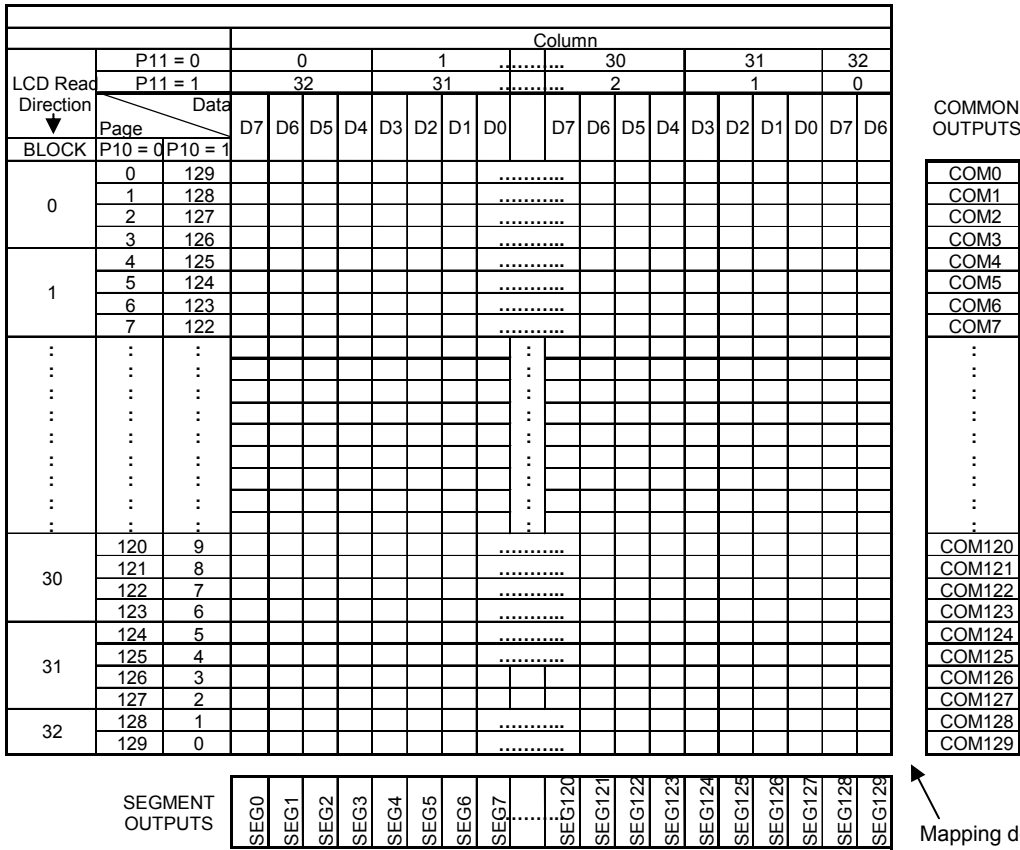
SEGMENT OUTPUTS

SEG0	SEG1	SEG2	SEG3	SEG4	SEG5	SEG6	SEG7	SEG120	SEG121	SEG122	SEG123	SEG124	SEG125	SEG126	SEG127	SEG128	SEG129
------	------	------	------	------	------	------	------	-------	--------	--------	--------	--------	--------	--------	--------	--------	--------	--------

Mapping depends on the COM output scan direction setting

*Notes: Page and SEG data scan direction depend on data output scan direction setting
Data output scan direction setting cannot affect block scan direction*

Figure 6-3: Graphic Display Data RAM (GDDRAM) Address Map for SSD1848 (B&W mode)



Notes: Page and SEG data scan direction depend on data output scan direction setting
 Data output scan direction setting cannot affect block scan direction

6.27 LCD Driving Voltage Generator and Regulator

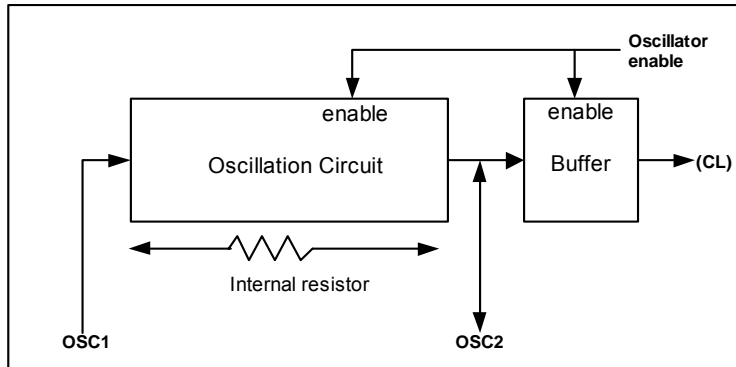
This module generates the LCD voltage needed for display output. It takes a single supply input and generates necessary bias voltages. It consists of:

1. 4X, 5X, 6X and 7X DC-DC voltage converter.
2. Bias Divider - If the output op-amp buffer option in Set Power Control Register command is enabled, this circuit block will divide the regulator output (VOUT) to give the LCD driving levels (VL2 - VL5).
3. Contrast Control -Software control of 64 voltage levels of LCD voltage.
4. Bias Ratio Selection circuitry -Software control of 1/4 to 1/13 bias ratio to match the characteristic of LCD panel.
5. Self adjust temperature compensation circuitry - Provide 2 different compensation grade selections to satisfy the various liquid crystal temperature grades. The grading can be selected by software control. Defaulted temperature coefficient (TC) value is -0.01%.

6.28 Oscillator Circuit

This module is an On-Chip low power RC oscillator circuitry (Figure 6-4). The oscillator generates the clock for the DC-DC voltage converter. This clock is also used in the Display Timing Generator.

Figure 6-4: Oscillator structural block diagram



6.29 Display Data Latch

This block is a series of latches carrying the display signal information. These latches hold the data, which will be fed to the HV Buffer Cell and Level Selector to output the required voltage level.

6.30 HV Buffer Cell (Level Shifter)

This block is embedded in the Segment/Common Driver Circuits. HV Buffer Cell works as a level shifter, which translates the low voltage output signal to the required driving voltage. The output is shifted out with reference to the internal FRM clock, which comes from the Display Timing Generator. The voltage levels are given by the level selector, which is synchronized with the internal M signal.

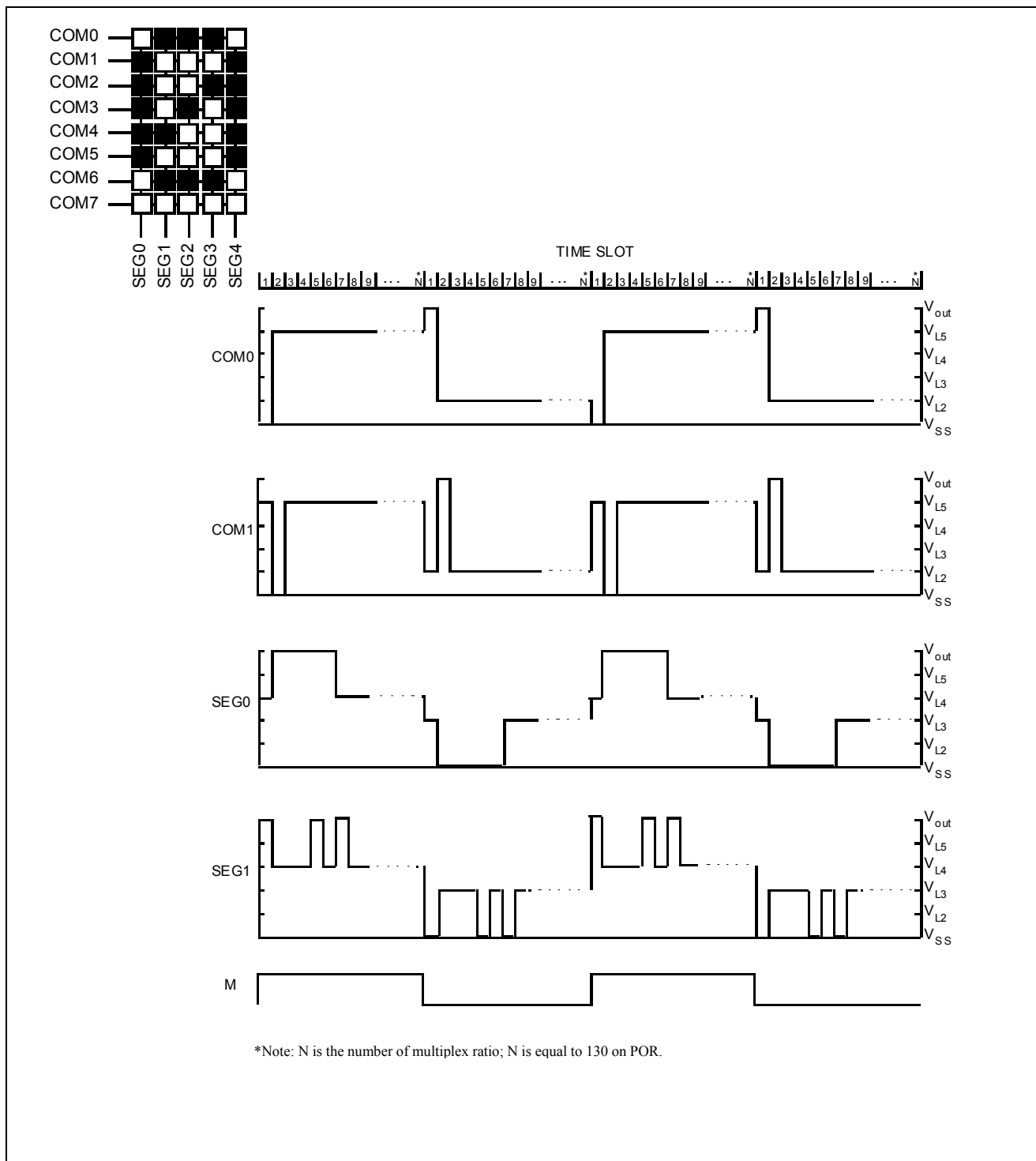
6.31 Level Selector

This block is embedded in the Segment/Common Driver circuits. Level Selector is a control of the display synchronization. Display voltage levels can be separated into two sets and used with different cycles. Synchronization is important since it selects the required LCD voltage level to the HV Buffer Cell, which in turn outputs the COM or SEG LCD waveform.

6.32 LCD Panel Driving Waveform

Figure 6-5 is an example of how the Common and Segment drivers may be connected to a LCD panel.

Figure 6-5 - illustration of the segment and common waveform



7 COMMAND TABLE

Table 7-2: COMMAND TABLE ($\overline{D/C} = 0, R/\overline{W} (\overline{WR}) = 0, E=1(\overline{RD} = 1)$ unless specific setting is stated)

D/C	Hex	D7	D6	D5	D4	D3	D2	D1	D0	Command	Description
0 1 1	15	0 0 0	0 0 0	0 X ₅ Y ₅	1 X ₄ Y ₄	0 X ₃ Y ₃	1 X ₂ Y ₂	0 X ₁ Y ₁	1 X ₀ Y ₀	Set Column Address	Set the start column address by X ₅ X ₄ X ₃ X ₂ X ₁ X ₀ Set the end column address by Y ₅ Y ₄ Y ₃ Y ₂ Y ₁ Y ₀ Column address = 00000000b (POR) Column address is in a range of 0~32 (0x00~0x20).
0 1 1	75	0 X ₇ Y ₇	1 X ₆ Y ₆	1 X ₅ Y ₅	1 X ₄ Y ₄	0 X ₃ Y ₃	1 X ₂ Y ₂	0 X ₁ Y ₁	1 X ₀ Y ₀	Set Page Address	Set the start page address by X ₇ X ₆ X ₅ X ₄ X ₃ X ₂ X ₁ X ₀ Set the end page address by Y ₇ Y ₆ Y ₅ Y ₄ Y ₃ Y ₂ Y ₁ Y ₀ Page address = 00000000b (POR) Page address is in a range of 0~129 (0x00~0x81).
0 1	BB	1 *	0 *	1 *	1 *	1 *	0 X ₂	1 X ₁	1 X ₀	Set COM Output Scan Direction	X ₂ X ₁ X ₀ ROW0...ROW64 ROW65...ROW129 0 0 0 COM0 ->COM64 COM65-> COM129(POR) 0 0 1 COM0->COM64 COM129<-COM65 0 1 0 COM64<-COM0 COM65->COM129 0 1 1 COM64<-COM0 COM129<-COM65

D/C	Hex	D7	D6	D5	D4	D3	D2	D1	D0	Command	Description																																																	
0	BC	1	0	1	1	1	1	0	0	Set Data	a) Normal or Reverse page/column/RAM access/scan directions $P_{10} = 0$: set page address to normal display (POR) $P_{10} = 1$: set page address to inverse display $P_{11} = 0$: set column address to normal rotation (POR) $P_{11} = 1$: set column address to inverse rotation $P_{12} = 0$: set scan direction to column scan(POR) $P_{12} = 1$: set scan direction to page scan $P_{13} = 0$: set normal scan direction (POR) $P_{13} = 1$: set inverse scan direction b) Gray-scale setting X = Light gray PWM count (POR 5 counts) Y = Dark gray PWM count (POR 10 counts) $P_{22}P_{21}P_{20} = X - 1$ (POR 100) $P_{25}P_{24}P_{23} = Y - X - 1$ (POR 100) Remark: $Y - X \leq 8$ * Remarks: The PWM count for White and Black are 0 and 15 respectively. $P_{30} = 0$: PWM (POR) $P_{34} = 0$: <table border="1"> <thead> <tr> <th>White</th> <th>Light Gray</th> <th>Dark Gray</th> <th>Black</th> </tr> </thead> <tbody> <tr> <td>0%</td> <td>33%</td> <td>66%</td> <td>100%</td> </tr> </tbody> </table> $P_{34} = 1$: <table border="1"> <thead> <tr> <th>White</th> <th>Light Gray</th> <th>Dark Gray</th> <th>Black</th> </tr> </thead> <tbody> <tr> <td>0%</td> <td>$X/15$</td> <td>$Y/15$</td> <td>100%</td> </tr> </tbody> </table> $P_{30} = 1$: FRC $P_{31} = 0$: 3-frame FRC (POR) <table border="1"> <thead> <tr> <th>White</th> <th>Light Gray</th> <th>Dark Gray</th> <th>Black</th> </tr> </thead> <tbody> <tr> <td>0%</td> <td>33%</td> <td>66%</td> <td>100%</td> </tr> </tbody> </table> $P_{31} = 1$: 4-frame FRC <table border="1"> <thead> <tr> <th>$P_{33} P_{32}$</th> <th>White</th> <th>Light Gray</th> <th>Dark Gray</th> <th>Black</th> </tr> </thead> <tbody> <tr> <td>00(POR)</td> <td>0%</td> <td>25%</td> <td>75%</td> <td>100%</td> </tr> <tr> <td>01</td> <td>0%</td> <td>50%</td> <td>75%</td> <td>100%</td> </tr> <tr> <td>10</td> <td>0%</td> <td>25%</td> <td>50%</td> <td>100%</td> </tr> <tr> <td>11</td> <td colspan="4">Reserved</td> </tr> </tbody> </table>	White	Light Gray	Dark Gray	Black	0%	33%	66%	100%	White	Light Gray	Dark Gray	Black	0%	$X/15$	$Y/15$	100%	White	Light Gray	Dark Gray	Black	0%	33%	66%	100%	$P_{33} P_{32}$	White	Light Gray	Dark Gray	Black	00(POR)	0%	25%	75%	100%	01	0%	50%	75%	100%	10	0%	25%	50%	100%	11	Reserved			
White	Light Gray	Dark Gray	Black																																																									
0%	33%	66%	100%																																																									
White	Light Gray	Dark Gray	Black																																																									
0%	$X/15$	$Y/15$	100%																																																									
White	Light Gray	Dark Gray	Black																																																									
0%	33%	66%	100%																																																									
$P_{33} P_{32}$	White	Light Gray	Dark Gray	Black																																																								
00(POR)	0%	25%	75%	100%																																																								
01	0%	50%	75%	100%																																																								
10	0%	25%	50%	100%																																																								
11	Reserved																																																											
1		*	*	*	*	P_{13}	P_{12}	P_{11}	P_{10}	Output Scan																																																		
1		*	*	P_{25}	P_{24}	P_{23}	P_{22}	P_{21}	P_{20}	Direction and																																																		
1		*	*	*	P_{34}	P_{33}	P_{32}	P_{31}	P_{30}	Grayscale																																																		

D/C	Hex	D7	D6	D5	D4	D3	D2	D1	D0	Command	Description																				
0 1 1 1	CA	1 0 * 0	1 0 * 0	0 0 Y ₅ 0	0 0 Y ₄ 0	1 0 Y ₃ 0	0 0 Y ₂ 0	1 0 Y ₁ 0	0 0 Y ₀ 0	Set Display Control	<p>Driver duty selection Y₅Y₄Y₃Y₂Y₁Y₀ input data range is from 000011b to 011111b as driver duty range from 1/16 to 1/128.</p> <table border="1"> <thead> <tr> <th>Duty Ratio 1/N</th> <th>N/4 - 1</th> <th>Y₅Y₄Y₃Y₂Y₁Y₀</th> </tr> </thead> <tbody> <tr> <td>1/16</td> <td>16/4 - 1</td> <td>000011</td> </tr> <tr> <td>1/20</td> <td>20/4 - 1</td> <td>000100</td> </tr> <tr> <td>:</td> <td>:</td> <td>:</td> </tr> <tr> <td>1/128</td> <td>128/4 - 1</td> <td>011111</td> </tr> <tr> <td>1/130</td> <td>-</td> <td>100000</td> </tr> </tbody> </table>	Duty Ratio 1/N	N/4 - 1	Y ₅ Y ₄ Y ₃ Y ₂ Y ₁ Y ₀	1/16	16/4 - 1	000011	1/20	20/4 - 1	000100	:	:	:	1/128	128/4 - 1	011111	1/130	-	100000		
Duty Ratio 1/N	N/4 - 1	Y ₅ Y ₄ Y ₃ Y ₂ Y ₁ Y ₀																													
1/16	16/4 - 1	000011																													
1/20	20/4 - 1	000100																													
:	:	:																													
1/128	128/4 - 1	011111																													
1/130	-	100000																													
0 1 1 1 1	AA	1 X ₇ Y ₇ Z ₇ *	0 X ₆ Y ₆ Z ₆ *	1 X ₅ Y ₅ Z ₅ *	0 X ₄ Y ₄ Z ₄ *	1 X ₃ Y ₃ Z ₃ *	0 X ₂ Y ₂ Z ₂ *	1 X ₁ Y ₁ Z ₁ P ₄₁	0 X ₀ Y ₀ Z ₀ P ₄₀	Set Area Scroll	<p>a) Top Block Address X₇X₆X₅X₄X₃X₂X₁X₀ is used to specify the row address at the top of the scrolling area. Top row address = 00000000b (POR)</p> <p>b) Bottom Block Address Y₇Y₆Y₅Y₄Y₃Y₂Y₁Y₀ is used to specify the row address at the bottom of the scrolling area. Bottom row address = 00000000b (POR)</p> <p>c) Number of specified Blocks The number of specified blocks = Number of (Top fixed area + Scroll area) blocks - 1. If bottom scroll or whole screen scroll mode is chosen, the number of specified blocks is set to Z₇Z₆Z₅Z₄Z₃Z₂Z₁Z₀ Number of specified blocks = 00000000b (POR)</p> <p>d) Area Scroll Mode There are four types of area scroll.</p> <table border="1"> <thead> <tr> <th>P₄₁</th> <th>P₄₀</th> <th>Types of Area Scroll</th> </tr> </thead> <tbody> <tr> <td>0</td> <td>0</td> <td>Center Screen Scroll</td> </tr> <tr> <td>0</td> <td>1</td> <td>Top Screen Scroll</td> </tr> <tr> <td>1</td> <td>0</td> <td>Bottom Screen Scroll</td> </tr> <tr> <td>1</td> <td>1</td> <td>Whole Screen Scroll</td> </tr> </tbody> </table>	P ₄₁	P ₄₀	Types of Area Scroll	0	0	Center Screen Scroll	0	1	Top Screen Scroll	1	0	Bottom Screen Scroll	1	1	Whole Screen Scroll					
P ₄₁	P ₄₀	Types of Area Scroll																													
0	0	Center Screen Scroll																													
0	1	Top Screen Scroll																													
1	0	Bottom Screen Scroll																													
1	1	Whole Screen Scroll																													
0 1	AB	1 X ₇	0 X ₆	1 X ₅	0 X ₄	1 X ₃	0 X ₂	1 X ₁	1 X ₀	Set Scroll Start	<p>X₅X₄X₃X₂X₁X₀ specify the start row address of area scrolling. Start block address = 00000000b (POR)</p>																				
0 1	20	0 *	0 *	1 *	0 X ₄	0 X ₃	0 X ₂	0 X ₁	0 X ₀	Set Power Control Register	<p>X₀=0: turns off the reference voltage generator (POR) X₀=1: turns on the reference voltage generator X₁=0: turns off the internal regulator and voltage follower (POR) X₁=1: turns on the internal regulator and voltage follower Select booster level</p> <table border="1"> <thead> <tr> <th>X₄</th> <th>X₃</th> <th>X₂</th> <th>Boost level</th> </tr> </thead> <tbody> <tr> <td>0</td> <td>0</td> <td>0</td> <td>4X</td> </tr> <tr> <td>0</td> <td>0</td> <td>1</td> <td>5X</td> </tr> <tr> <td>0</td> <td>1</td> <td>0</td> <td>6X (POR)</td> </tr> <tr> <td>0</td> <td>1</td> <td>1</td> <td>7X</td> </tr> </tbody> </table>	X ₄	X ₃	X ₂	Boost level	0	0	0	4X	0	0	1	5X	0	1	0	6X (POR)	0	1	1	7X
X ₄	X ₃	X ₂	Boost level																												
0	0	0	4X																												
0	0	1	5X																												
0	1	0	6X (POR)																												
0	1	1	7X																												

D/C	Hex	D7	D6	D5	D4	D3	D2	D1	D0	Command	Description
0 1 1	81	1 * *	0 * *	0 X ₅ *	0 X ₄ *	0 X ₃ *	0 X ₂ Y ₂	0 X ₁ Y ₁	1 X ₀ Y ₀	Set Contrast Level & Internal Regulator Resistor Ratio	a) Select contrast level from 64 contrast steps Contrast increases as X ₅ X ₄ X ₃ X ₂ X ₁ X ₀ is increased from 000000b to 111111b. X ₅ X ₄ X ₃ X ₂ X ₁ X ₀ = 100000b (POR) b) The internal regulator gain (1+R ₂ /R ₁) V _{OUT} increases as Y ₂ Y ₁ Y ₀ is increased from 000b to 111b. The factor, 1+R ₂ /R ₁ , is given by: Y ₂ Y ₁ Y ₀ = 000: 3.38 (POR) Y ₂ Y ₁ Y ₀ = 001: 4.41 Y ₂ Y ₁ Y ₀ = 010: 5.44 Y ₂ Y ₁ Y ₀ = 011: 6.47 Y ₂ Y ₁ Y ₀ = 100: 7.50 Y ₂ Y ₁ Y ₀ = 101: 8.52 Y ₂ Y ₁ Y ₀ = 110: 9.55 Y ₂ Y ₁ Y ₀ = 111: 10.58
0 1 1	A8	1 X ₇ Y ₇	0 X ₆ Y ₆	1 X ₅ Y ₅	0 X ₄ Y ₄	1 X ₃ Y ₃	0 X ₂ Y ₂	0 X ₁ Y ₁	0 X ₀ Y ₀	Enter partial Display	Start COM Address = 00000000b (POR) End COM Address = 00000000b (POR)
0	A9	1	0	1	0	1	0	0	1	Exit partial Display	Exit the “partial display mode” by executing the command 10101001b (POR)
0	AE - AF	1	0	1	0	1	1	1	X ₀	Set Display On/Off	X ₀ =0: turns off LCD panel (POR) X ₀ =1: turns on LCD panel
0	94 - 95	1	0	0	1	0	1	0	X ₀	Enter/Exit sleep mode	X ₀ =0: exit the sleep mode. X ₀ =1: enter sleep mode. (POR)
0	D1 – D2	1	1	0	1	0	0	X ₁	X ₀	Enable/disable internal oscillator	X ₁ X ₀ Internal oscillator status 0 1 ON 1 0 OFF (POR)
0 1	82	1 * *	0 * *	0 * *	0 * *	0 * *	0 * *	1 X ₁	0 X ₀	Set temperature compensation coefficient	V _{OUT} average temperature gradients X ₁ X ₀ Average Temperature Gradient [%/oC] 0 0 -0.01 (POR) 0 1 -0.06
0	25	0	0	1	0	0	1	0	1	NOP	Command result in No Operation The command should be issued after the execution of the Status Read command
0 1	5C	0 Y ₇₁	1 Y ₆₁	0 Y ₅₁	1 Y ₄₁	1 Y ₃₁	1 Y ₂₁	0 Y ₁₁	0 Y ₀₁	Write display data	Enter the “write display data mode” by executing the command 01011100b. The following byte is used to specify the data byte to be written to the GDDRAM directly. The D/C bit should be stated at logic “1” during the display data is written to the GDDRAM.

Remark: “*” denote DON'T CARE bit

Table 8-3: Extended command table

D/C	Hex	D7	D6	D5	D4	D3	D2	D1	D0	Command	Description
0 0/1	FB	1 L ₀	1 0	1 0	1 0	1 B ₃	0 B ₂	1 B ₁	1 B ₀	Set biasing ratio & Command lock/unlock	<p>Allow user to set bias from 1/ 4 to 1/13</p> <p>B₃B₂B₁B₀ Bias ratio</p> <p>1 0 0 1 1/4 bias</p> <p>1 0 0 0 1/5 bias</p> <p>0 1 1 1 1/6 bias</p> <p>0 1 1 0 1/7 bias</p> <p>0 1 0 1 1/8 bias</p> <p>0 1 0 0 1/9 bias</p> <p>0 0 1 1 1/10 bias</p> <p>0 0 1 0 1/11 bias</p> <p>0 0 0 1 1/12 bias</p> <p>0 0 0 0 1/13 bias (POR)</p> <p>L₀ Lock and unlock Cmd</p> <p>0 unlock (POR)</p> <p>1 lock and no more cmd/data is written to driver</p> <p>The 2nd byte is sent as Cmd if L₀ is set to 1</p>
0 1 1	F2	1 0 X ₀	1 1 N ₆	1 F ₄ N ₅	1 F ₃ N ₄	0 F ₂ N ₃	0 F ₁ N ₂	1 F ₀ N ₁	0 0 N ₀	Set Frame frequency and N- line Inversion	<p>This command uses to change the frame frequency; set the N-line inversion and N-line inversion mode</p> <p>X₀ = 1 (POR) X₀ = 0</p> <p>F₄F₃F₂F₁F₀</p> <p>00000 : 56.4 Hz (POR) 64Hz</p> <p>00111 : +10.1% +11.8%</p> <p>01000 : +10.7% +15.2%</p> <p>01001 : +12.5% +15.2%</p> <p>01010 : +14.1% +20.6%</p> <p>01011 : +16.1% +20.6%</p> <p>01100 : +17.4% +25.9%</p> <p>01101 : +19.5% +25.9%</p> <p>01110 : +21.4% +32.9%</p> <p>01111 : +23.7% +32.9%</p> <p>10000 : +24.6% +37.4%</p> <p>10001 : +27.1% +37.4%</p> <p>10010 : +29.2% +46.0%</p> <p>10011 : +31.8% +46.0%</p> <p>10100 : +33.6% +54.6%</p> <p>10101 : +36.5% +54.6%</p> <p>10110 : +39.0% +66.9%</p> <p>10111 : +42.2% +66.9%</p> <p>11000 : +43.2% +75.8%</p> <p>11001 : +46.6% +75.8%</p> <p>11010 : +49.7% +94.0%</p> <p>Remark: The frame frequency is typical value for 130mux and PWM mode.</p> <p>The second byte data N₅N₄N₃N₂N₁N₀ sets the n- line inversion register from 2 to 64 lines to reduce display crosstalk. Register values from 000001b to 111111b are mapped to 2 lines to 64 lines respectively. Value 00000b disables the N- line inversion. 010000 is the POR value. To avoid a fix polarity at some lines, it should be noted that the total number of mux should NOT be a multiple of the lines of inversion (n).</p> <p>N₆</p> <p>0 – reset n-line counter per frame (POR)</p> <p>1 – will not reset n-line counter per frame</p>

D/C	Hex	D7	D6	D5	D4	D3	D2	D1	D0	Command	Description
0 1 1	F6	1 Y ₂ 0	1 Y ₁ 0	1 0 0	1 X ₄ 0	0 X ₃ 0	1 X ₂ 1	1 X ₁ 1	0 X ₀ 0	Dual OTP setting	<p>This command set the offset value of contrast for the first time and the second time OTP</p> <p>X₄X₃X₂X₁X₀ (Emulate/Program)</p> <p>00000 : original contrast (+ 0 fine step/ -1 fine step) 00001 : original contrast (+ 1 fine step/ -2 fine steps) 00010 : original contrast (+ 2 fine steps/ -3 fine steps) 00011 : original contrast (+ 3 fine steps/ -4 fine steps) 00100 : original contrast (+ 4 fine steps/ -5 fine steps) 00101 : original contrast (+ 5 fine steps/ -6 fine steps) 00110 : original contrast (+ 6 fine steps/ -7 fine steps) 00111 : original contrast (+ 7 fine steps/ -8 fine steps) 01000 : original contrast (+ 8 fine steps/ -9 fine steps) 01001 : original contrast (+ 9 fine steps/ -10 fine steps) 01010 : original contrast (+10 fine steps/-11 fine steps) 01011 : original contrast (+11 fine steps/-12 fine steps) 01100 : original contrast (+12 fine steps/-13 fine steps) 01101 : original contrast (+13 fine steps/-14 fine steps) 01110 : original contrast (+14 fine steps/-15 fine steps) 01111 : original contrast (+15 fine steps/-16 fine steps) 10000 : original contrast (-16 fine steps/+15 fine steps) 10001 : original contrast (- 15 fine steps/+14 fine steps) 10010 : original contrast (- 14 fine steps/+13 fine steps) 10011 : original contrast (- 13 fine steps/+12 fine steps) 10100 : original contrast (- 12 fine steps/+11 fine steps) 10101 : original contrast (- 11 fine steps/+10 fine steps) 10110 : original contrast (- 10 fine steps/+ 9 fine steps) 10111 : original contrast (- 9 fine steps/+ 8 fine steps) 11000 : original contrast (- 8 fine steps/+ 7 fine steps) 11001 : original contrast (- 7 fine steps/+ 6 fine steps) 11010 : original contrast (- 6 fine steps/+ 5 fine steps) 11011 : original contrast (- 5 fine steps/+ 4 fine steps) 11100 : original contrast (- 4 fine steps/+ 3 fine steps) 11101 : original contrast (- 3 fine steps/+ 2 fine steps) 11110 : original contrast (- 2 fine steps/+ 1 fine step) 11111 : original contrast (- 1 fine step/+ 0 fine step)</p> <p>Y₁ = 0: 1st Level OTP (POR) Y₁ = 1: 2nd Level OTP Y₂ = 0: Emulate OTP step Y₂ = 1: Enable OTP (POR)</p> <p>Remarks: 2nd level OTP cannot be executed before 1st level OTP.</p> <p>Y₂Y₁ = 00, X₃X₂X₁X₀ = 0000: Disable OTP function</p> <p>* Note: 1 contrast step = 2 fine steps</p>
0	F8	1	1	1	1	1	0	0	0	OTP programming	This command starts to program LCD driver with OTP offset value. This command can be executed twice only. Detail of OTP programming procedure on page 36
0 1	44	0 A ₇	1 A ₆	0 A ₅	0 A ₄	0 A ₃	1 A ₂	0 A ₁	0 A ₀	Set 1 st Com Line	<p>Set 1st Com-line command. Byte A specifies the number of scroll lines. A₇A₆A₅A₄A₃A₂A₁A₀ = 00000000 (POR)</p> <p>Byte A is ranging from 0 to 129</p>

D/C	Hex	D7	D6	D5	D4	D3	D2	D1	D0	Command	Description
0 1	5D	0 Y ₇₁	1 Y ₆₁	0 Y ₅₁	1 Y ₄₁	1 Y ₃₁	1 Y ₂₁	0 Y ₁₁	1 Y ₀₁	Read display data	Enter the “read display data mode” by executing the command 01011101b. The next byte is a dummy data. The GDDRAM data will be read from the second byte. The GDDRAM column address pointer will be increased by one automatically after each 2-bytes data read.
0 1 1 1 1	F3 15 00	1 1 0 0 1	1 A ₆ 0 0 0	1 A ₅ 0 0 0	1 A ₄ 1 0 0	0 0 0 0 0	0 A ₂ 1 0 0	1 A ₁ 0 0 0	1 A ₀ 1 0 0	Bias current, booster frequency & OTP status read selection	This command selects the bias current for VL5, VL4, VL3 and VL2, the booster frequency and the 1 st and 2 nd OTP status read. A ₂ A ₁ A ₀ : bias current for VL3 and VL2 A ₆ A ₅ A ₄ : bias current for VL5 and VL4 000 : 1.0 x I _{ref} 001 : 3.5 x I _{ref} 010 : 6.0 x I _{ref} (POR) 011 : 8.5 x I _{ref} 100 : 11.0 x I _{ref} 101 : 13.5 x I _{ref} 110 : 17.0 x I _{ref} 111 : 18.5 x I _{ref} X ₁ X ₀ 00 : Fosc/2 (POR) 01 : Fosc/4 10 : Fosc/8 11 : Fosc/16 Y ₂ Y ₁ Y ₀ = 000: Read 1 st Level OTP (POR) Y ₂ Y ₁ Y ₀ = 111: Read 2 nd Level OTP where I _{ref} is a constant
0 0	F9	1 *	1 *	1 *	1 A ₄	1 A ₃	0 A ₂	0 A ₁	1 A ₀	Read back dual OTP value, SSL module identity & OTP register status	A ₄ A ₃ A ₂ A ₁ A ₀ = OTP value

Table 8-4: Read Command Table

Note: Command patterns other than that given in Command Table are prohibited. Otherwise, unexpected result will occur.

Remark: “*” denote DON'T CARE bit

To read data from the GDDRAM, 5Dhex command should be executed then input High to R/ \overline{W} (\overline{WR}) pin and D/ \overline{C} pin for 6800-series parallel mode. Low to E(\overline{RD}) pin and High to D/ \overline{C} pin for 8080-series parallel mode. No data read is provided for serial mode. In normal mode, GDDRAM column address pointer will be increased by one automatically after each data read in 4 pixels per 8 bit in GS mode OR 8 pixels per 8 bit in BW mode. Also, a dummy read is required before the first data is read. See Figure 6-1.

To write data to the GDDRAM, input Low to R/ \overline{W} (\overline{WR}) pin and High to E(\overline{RD}) pin for 6800-series parallel mode. For serial interface, it will always be in write mode. GDDRAM column address pointer will be increased by one automatically after each data write in 4 pixels per 8 bit in GS mode OR 8 pixels per 8 bit in BW mode. The address will be reset to 0 in next data read/write operation is executed when it is 32.

8 COMMAND DESCRIPTIONS

8.1 Set Column Address (15 H)

This command specifies the 6-bit column address of the display data RAM. The start and the end column address are specified by this command. The driver supports up to 130 columns. As the addresses are incremented from the start column to the end column in the column direction scan, the page address is incremented by 1. The column address is then returned to the start column. The column address will be increased by each data access after it is preset by the MCU. Start column < End column must be maintained.

8.2 Set Page Address (75 H)

This command enters the page address from 0 to 127 to the RAM page register for read/write operations. The driver supports up to 130 lines. All in all, there are 130 pages. As the addresses are incremented from the start page to the end page in the page direction scan, the column address is incremented by 1. The page address is then returned to the start page. Start page < End page must be maintained.

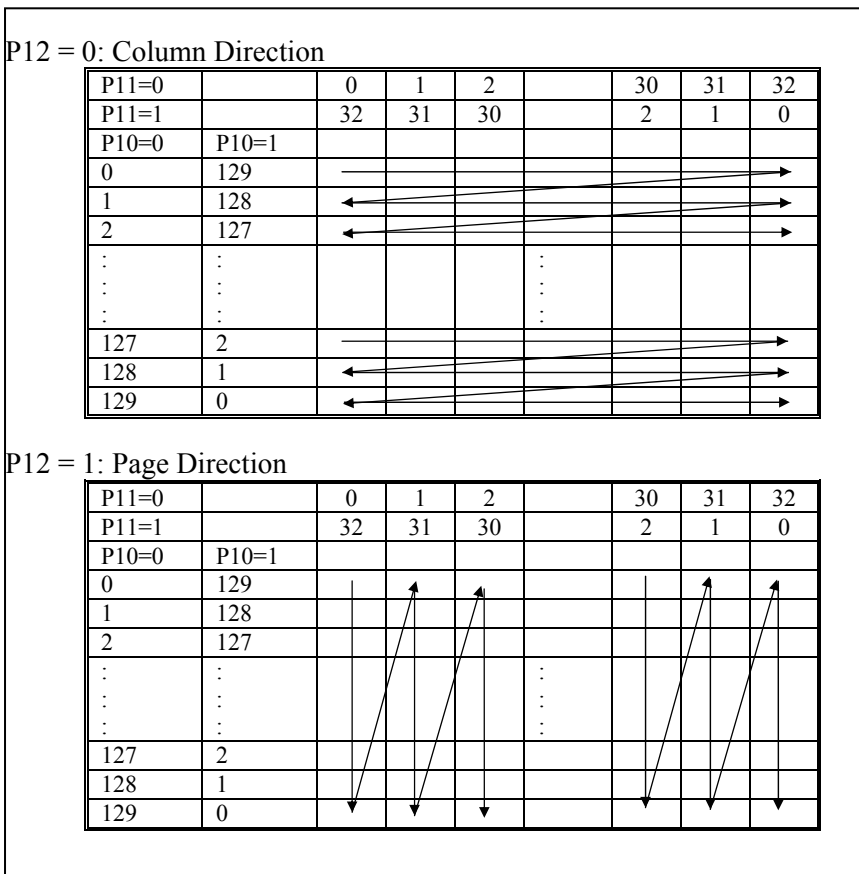
8.3 Set COM Output Scan Direction (BB H)

This command sets the scan direction of the COM output allowing layout flexibility in LCD module assembly. Please refer to the on Page 23 for detail mapping. In addition, the display will have immediate effect once this command is issued. That is, if this command is sent during normal display, the graphic display will have vertical flipping effect.

8.4 Set Data Output Scan Direction (BC H)

This command sets the DDRAM such that the MPU operates the display data in the internal RAM. The Data Scan direction can be set to either normal or inverse display page and column address scan direction. The column and the page direction are illustrated in the following figure.

Figure 8-6: Column and page scan direction



8.5 Set Grayscale (BC H)

GDDRAM data	Normal Display(0xA6)	Inverse display(0xA7)
00	White	Black
01	Light Gray	Dark Gray
10	Dark Gray	Light Gray
11	Black	White

1. Using PWM ($P_{30}=0$)

There are total 15 counts for PWM used to generate different grayscales. The percentage of black can be calculated by number of counts divided by 15. There are two kinds of PWM settings, customized and default by setting P_{34} to 1 and 0 respectively.

Set $P_{34}=1$ for customized PWM.

Customer can define the number of PWM counts for Light Gray and Dark Gray. White and Black, by default, are 0 and 15 counts respectively.

Let X and Y be the number of counts for Light Gray and Dark Gray, where $Y-X \leq 8$,

$$P_{22} P_{21} P_{20} = X-1$$

$$P_{25} P_{24} P_{23} = Y-X-1$$

Example:

$$X=3 \quad Y=11$$

$$P_{22} P_{21} P_{20} = 010$$

$$P_{25} P_{24} P_{23} = 111$$

The grayscales setting will be:

	Number of count	Percentage	Color
White	0	0%	
Light Gray	3	20%	
Dark Gray	11	73%	
Black	15	100%	

Set $P_{34}=0$ for default PWM. The grayscale settings will be:

	Number of count	Percentage	Color
White	0	0%	
Light Gray	5	33%	
Dark Gray	10	66%	
Black	15	100%	

2. Using FRC ($P_{30}=1$)

There are two kinds of FRC, 3-frame and 4-frame. The number of PWM counts in a frame is either 0 or 15. The percentage of black can be calculated by the number of frame with full PWM counts divided by either 3 or 4 (for 3-frame and 4-frame FRC respectively).

Set $P_{31}=0$ for 3-frame FRC.

	Frame 1	Frame 2	Frame 3	Percentage	Color
White	0	0	0	0%	
Light Gray	15	0	0	33%	
Dark Gray	15	15	0	66%	
Black	15	15	15	100%	

Set $P_{31}=1$ for 4-frame FRC.

When $P_{33}P_{32}=00$,

	Frame 1	Frame 2	Frame 3	Frame 4	Percentage	Color
White	0	0	0	0	0%	
Light Gray	15	0	0	0	25%	
Dark Gray	15	15	15	0	75%	
Black	15	15	15	15	100%	

When $P_{33}P_{32}=01$,

	Frame 1	Frame 2	Frame 3	Frame 4	Percentage	Color
White	0	0	0	0	0%	
Light Gray	15	0	15	0	50%	
Dark Gray	15	15	15	0	75%	
Black	15	15	15	15	100%	

When $P_{33}P_{32}=10$,

	Frame 1	Frame 2	Frame 3	Frame 4	Percentage	Color
White	0	0	0	0	0%	
Light Gray	15	0	0	0	25%	
Dark Gray	15	0	15	0	50%	
Black	15	15	15	15	100%	

8.6 Set Display Control (CA H)

This command is used to select the duty ratio of the IC. All available driving duty can be selected using this command. The driving duty can be changed from 1/16 to 1/128 or 1/130.

8.7 Set Area Scroll (AA H)

This command specifies the portion of screen for scrolling. The command sets the starting block address, finishing block address, number of specific blocks and the area scroll mode of the area scrolling. Please be noted that the starting block address should be smaller than the finishing block address.

The block address increment direction is started at 0th block such that the GDDRAM address corresponds to the top of the fixed area. Similarly, the block address decrement direction is started at the 32nd block such that the GDDRAM address corresponds to the bottom fixed area. The remaining block address excluding the top and the bottom fixed areas are assigned to the scroll plus the background areas.

The set area scroll function is divided into four parts.

Part I -Specify the top block address of the scroll + the background areas. Specify the 0th block for the top screen scroll or the whole screen scroll. The scroll start block address is also set at this top block address until the scroll start set command is executed.

Part II – Specify the bottom address of the scroll + background areas. Specify the 32nd block for the bottom or the whole screen scroll.

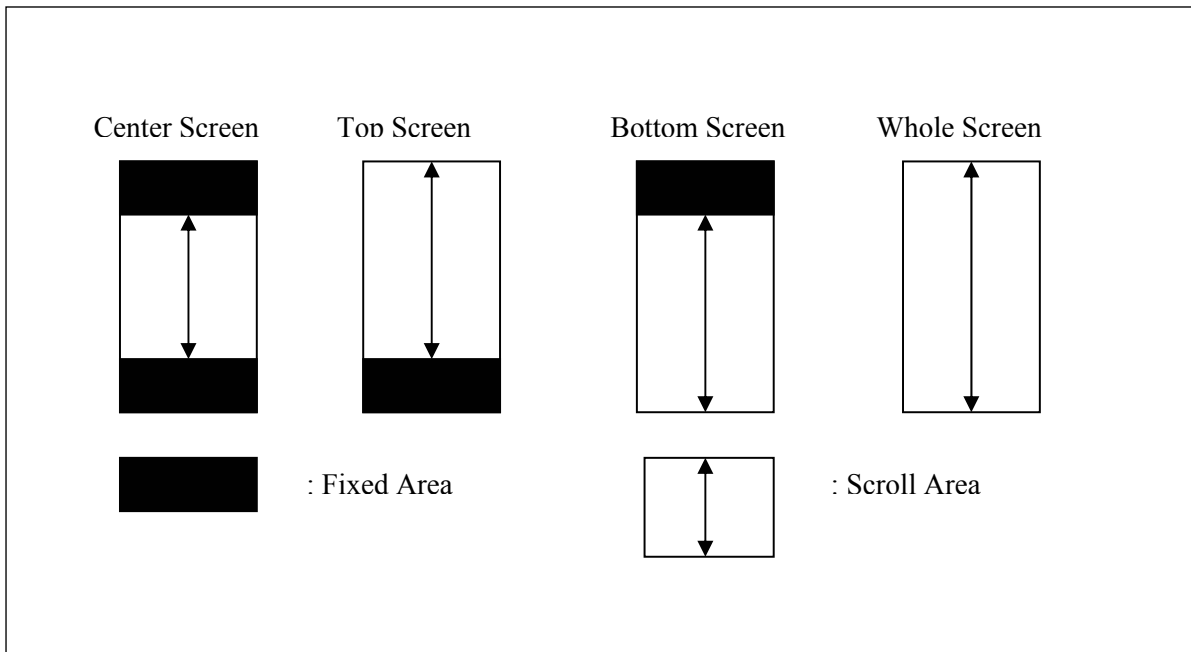
Part III – Specify number of scrolled blocks = number of (Top fixed area + scroll area) blocks –1. When the bottom scroll or whole screen scroll is chosen, the resulted value is identical to the value stated in part II.

Part IV - Specify the area scroll type. Altogether there are four types of area scroll. Please refer to Table 8-5 for detail.

Table 8-5: Area scrolling selection modes

P41	P40	Types of Area Scroll
0	0	Center Screen Scroll
0	1	Top Screen Scroll
1	0	Bottom Screen Scroll
1	1	Whole Screen Scroll

Figure 8-7: Area scrolling selection modes



The area scroll function is executed by prompt in the set area scroll command following by changing the start block address by the set scroll start command. Figure 8-7Figure illustrates the operation model of the scrolling function.

Example: In the Center screen scroll of 1/96 duty (display range: 96 lines = 24 blocks)

Description	Command	Data
- Set Area Scroll	AA H	
- 8 lines (block 0 to block 1) is specified for the top fixed area Top block address = Number of lines in top fixed area / 4 = 8 / 4 = 2		02 H
- 8 lines (block 30 to block 31) are specified for the bottom fixed area Bottom block address = 31 - (number of lines in bottom fixed area / 4) = 31 - (8 / 4) = 31 - 2 = 29		1D H
- 96 lines (block 2 to block 25) are specified the scroll area Number of specified block = Top block address + (number of lines in scroll area / 4) - 1 = 2 + (96 / 4) - 1 = 2 + 24 - 1 = 25		19 H
- 16 lines (block 26 to block 29) are specified the background areas		00 H
- Set area scroll mode - Center screen mode		00 H
- Set Scroll start (Scroll range form 02H ~ 29H)	AB H	02 H

Figure 8-8: GDDRAM updates for area scrolling

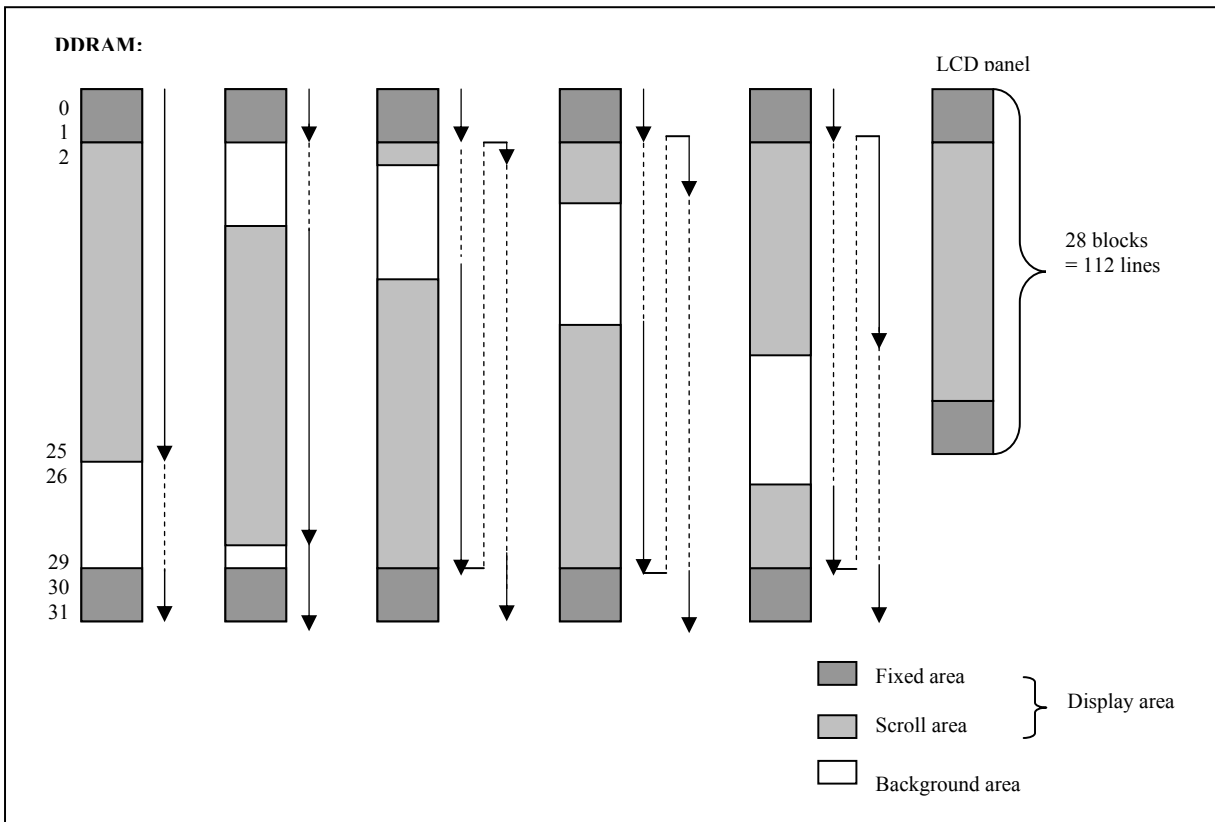
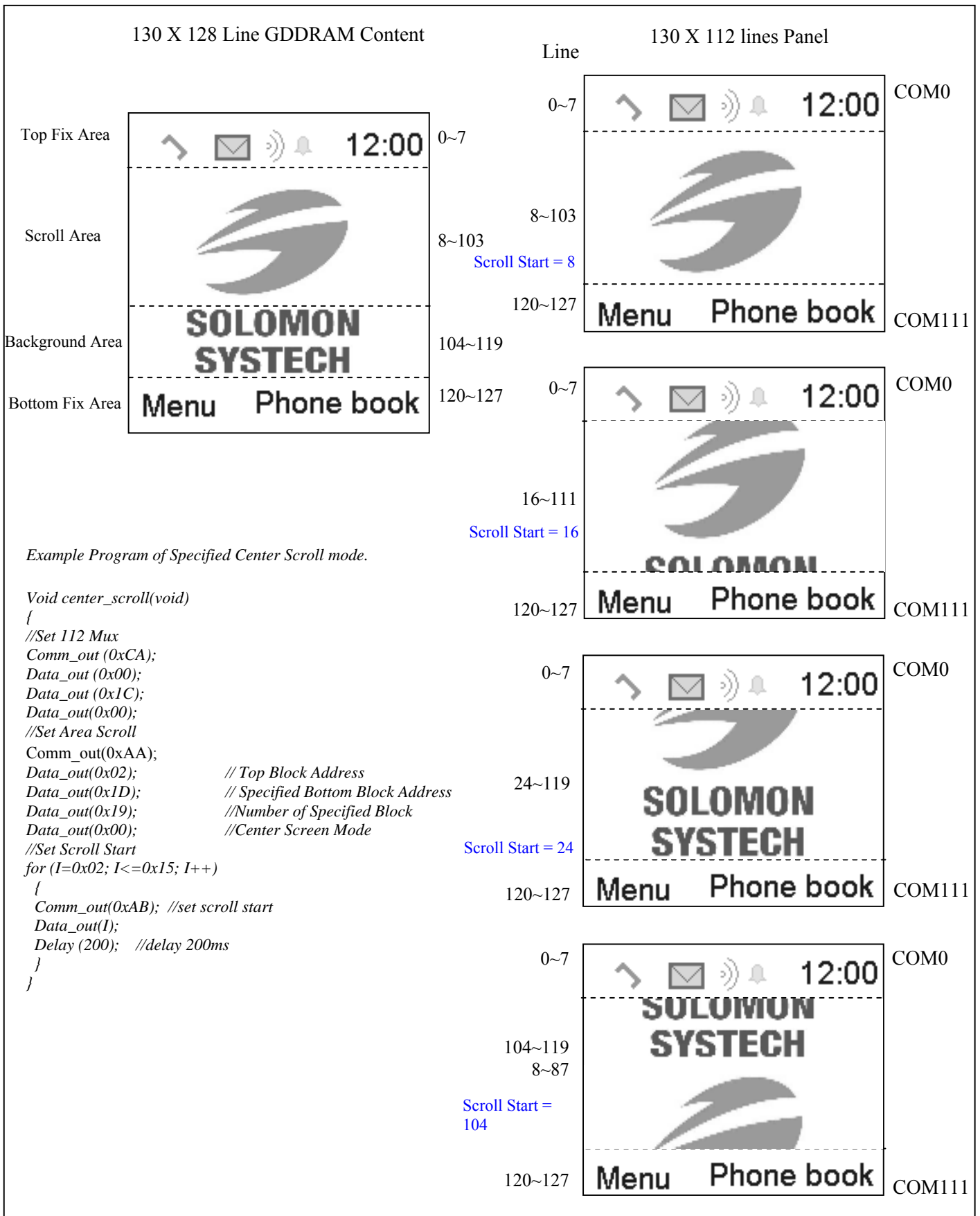


Figure 8-9: Example of center scroll mode



8.8 Set Scroll Start (AB H)

This command specifies the starting block address of the area scrolling and then executes the area scroll by changing the start block address dynamically. Start block < End block must be maintained. Please be noted that the set scroll start command should be executed after the set area scroll command.

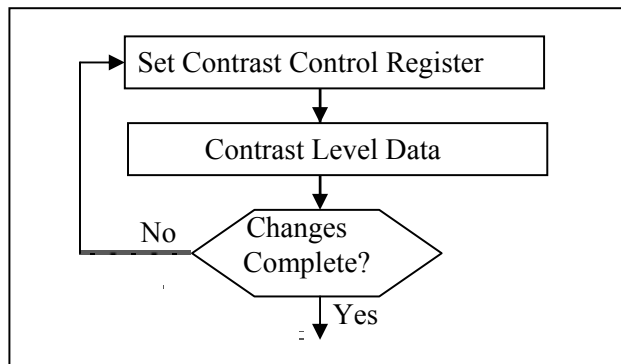
8.9 Set Power Control Register (20 H)

This command turns on/off the various power circuits associated with the chip. There are three power sub-circuits (reference voltage generator, internal regulator and voltage follower) could be turned on/off by this command. In addition, the configuration of the internal primary booster (4X/5X/6X/7X) can be selected by this command.

8.10 Set Contrast Level and Internal Regulator Resistor Ratio (IR) (81 H)

This command adjusts the contrast of the LCD panel by changing the LCD driving voltage, V_{OUT}, provided by the On-Chip power circuits. V_{OUT} is set with 64 steps (6-bit) in the contrast control register by a set of compound commands. Please refer to the Figure 8-10 for the contrast control process flow diagram.

Figure 8-10: Contrast Control Flow Set Segment Re-map

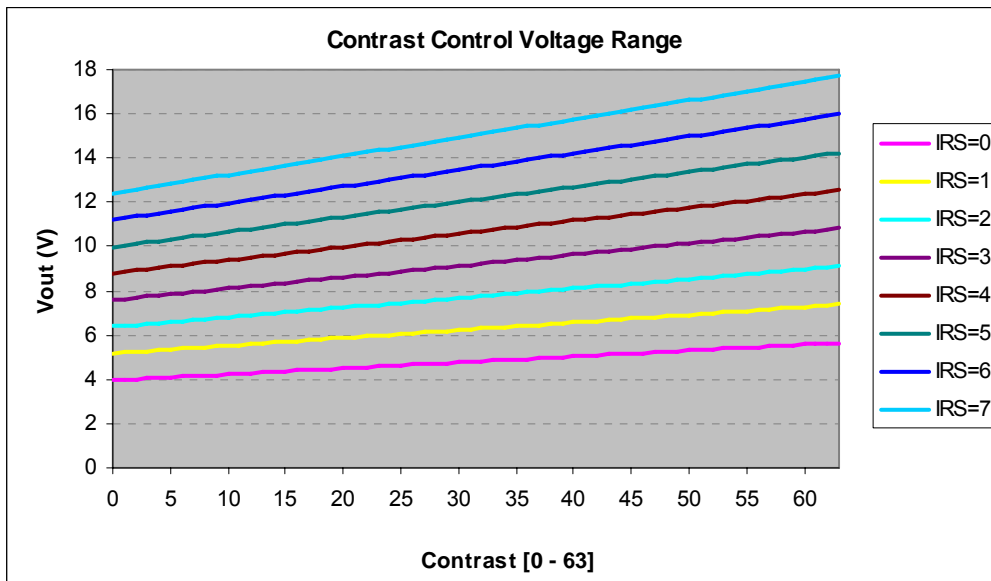


This command also sets the feedback gain of the internal regulator. There are altogether 8 internal regulator gains, which are used for the adjustment of V_{OUT} level. This command is to enable any one of the eight internal resistor (IRS) settings for different regulator gains when using internal regulator resistor network. The Contrast Control Voltage Range curves is referred to the following formula:

$$V_{out} = [1 + R_2 / R_1] * V_{con}$$
$$V_{con} = [1 + \alpha / 148] * V_{ref}$$

where V_{ref} = 1.173, PTC = 0

Figure 8-11: Contrast Control Voltage Range Curve at Room temp with PTC = 0



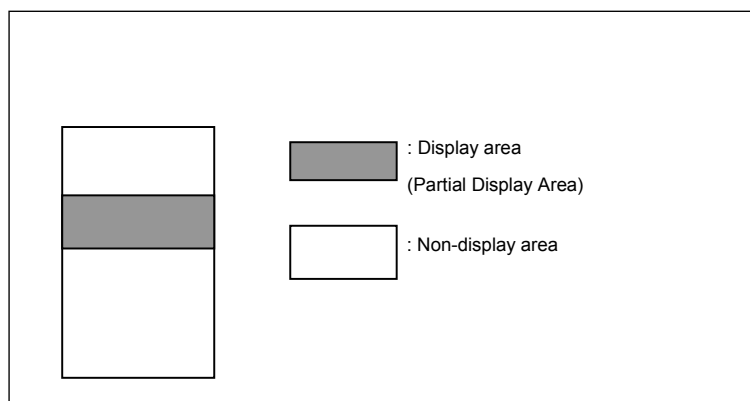
8.11 Set Normal/Inverse Display (A6/A7 H)

This command turns the display to be either normal (A6 H) or inverse (A7). In normal display mode, a RAM data of 1 indicates an illumination on the corresponding pixel in the normal white panel. In inverse display mode, a RAM data of 0 will turn on the pixel.

8.12 Enter Partial Display (A8 H)

This command and the following parameters specify the display area of the partial display mode. The following figure shows the display and non-display area when the partial display mode is executed.

Figure 8-12: Partial display mode



8.13 Exit Partial Display (A9 H)

This command exits the partial display mode.

8.14 Set Display On/Off (AF/AE H)

This command is used to turn the display on (AF H) or off (AE H). When display off is issued with entire display is on, power save mode will be entered.

8.15 Enter/Exit sleep mode (95/94 H)

This command enters (95 H) or exit (94 H) the sleep mode.

8.16 Enable/Disable the internal oscillator (D1/D2 H)

This command enables (D1 H) or disables (D2 H) the internal oscillator. The internal oscillator is turned off after reset.

8.17 Set Temperature compensation coefficient (82 H)

This command sets the average temperature gradients. Two sets of average temperature gradients can be selected for VOUT voltage. Please refer to the command table for detail description of the average temperature gradients. The default value of the VOUT temperature gradient is $-0.01\%/^{\circ}\text{C}$.

8.18 NOP (25 H)

A command causing the chip takes No Operation.

8.19 Write display data mode (5C H)

This command is used to execute the write display data mode. The display data byte is directly written to the GDDRAM. Please be noted that the $\overline{\text{D/C}}$ signal should be set to high during the display data is written to the GDDRAM.

8.20 Set biasing ratio (FB H)

This command selects a suitable bias ratio (1/4 to 1/13) required for driving the particular LCD panel in use. No any command or data can be written to driver when lock command is enabled.

8.21 Set Frame Frequency (F2 H)

This command specifies the frame frequency so as to minimize the flickering due to the ac main frequency.

8.22 Set N-line inversion (F2 H)

Number of line inversion is set by this command for reducing crosstalk noise. 2 to 64-line inversion operations could be selected. At POR, this operation is set to 10000b (17 lines). It should be noted that the total number of mux should NOT be a multiple of the inversion number (n). Or else, some lines will not change their polarity during frame change. The n-line counter can be set such that it will be reset per display frame (POR).

8.23 OTP setting (F6 H)

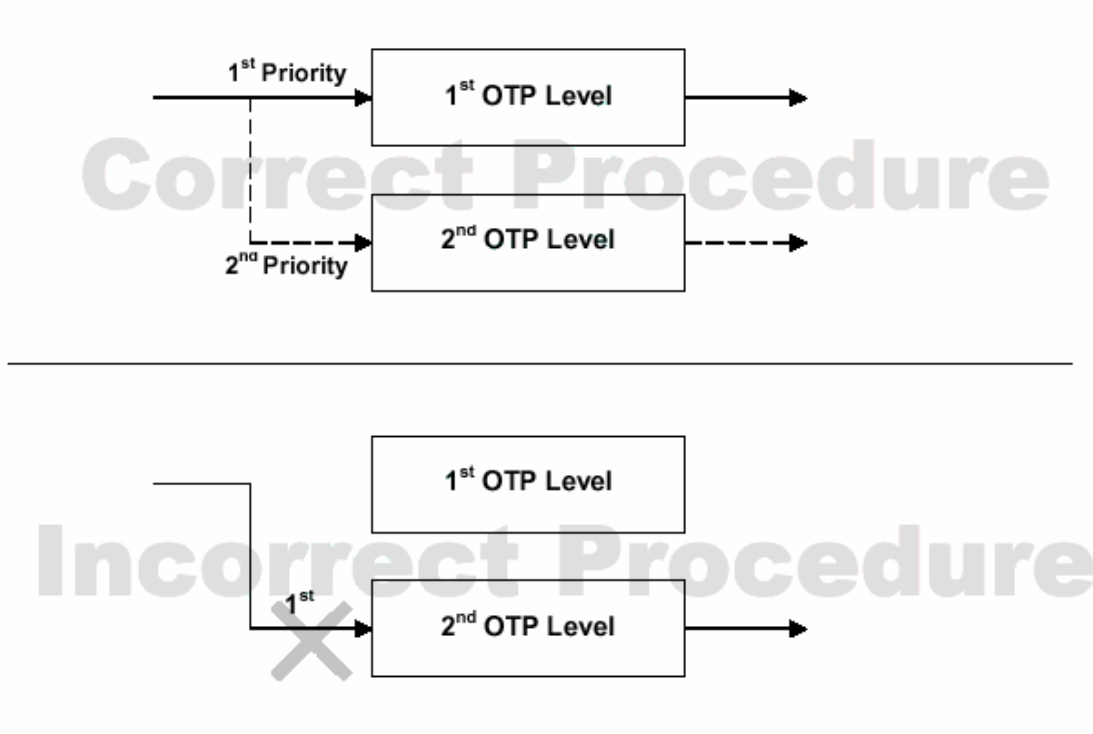
Vout of the STN driver should be finely adjusted to cope with the characteristics of different LCD panels. The magnitude of Vout affects the contrast level of final LCD module. OTP provides a channel to modify the magnitude of Vout at module level to achieve the optimal contrast level on every LCD module. During OTP process, a high voltage source is applied to OTP cell through Vout pin to set the voltage level permanently.

SSD1848 provides a unique feature, Dual Level OTP, to ensure the best contrast level is obtainable in every single product. For instance, module-manufacturers can trigger the first level OTP to obtain the optimal contrast level in a lot of STN module, while the second level OTP can be optionally launched by the module-user to achieve the best contrast in a single application. It should be reminded that due to the introduction of the dual OTP function, the OTP setting can only be valid if the following procedures are followed.

1. OTP Procedure

In programming the OTP, the 1st OTP level should be programmed first before the used of 2nd OTP level. Otherwise, the OTP programming will become invalid.

Figure 8-13: Correct Procedure for OTP



Step 1. Find OTP offset

- (1) Hardware Reset (sending an active low reset pulse to $\overline{\text{RES}}$ pin)
- (2) Send original initialization routines
- (3) Set and display any test patterns
- (4) Disable OTP function (C:0xF6, D: 0x00; D: 0x06)
- (5) Adjust the contrast value (C:0xF6, D:0x00~0x1F, D: 0x06) until there is the best visual contrast

Example 1: 1st OTP :

If C:0xF6, D: 0x07, D:0x06 is the best visual contrast

If OTP emulation command is (C:0xF6, D: 0x07, D: 0x06), then

OTP programming command should be (C:0xF6, D: 0x18, D: 0x06)

Example 2: 2nd OTP :

If C:0xF6, D: 0x14, D:0x06 is the best visual contrast

If OTP emulation command is (C:0xF6, D: 0x54, D: 0x06), then

OTP programming command should be (C:0xF6, D: 0x4B, D: 0x06)

Step 2. Check OTP status

- (6) Send the Read OTP status command set
 - a. C: 0xF3; D: 0xA2; D: 0x15; D: 0x00, D: 100 X₂X₁X₀00
 - b. C: F9
 - c. Read Command status (**A₄A₃A₂A₁A₀)
- (7) X₂X₁X₀ = 000: 1st OTP [4:0] OTP result after burn
X₂X₁X₀ = 111: 2ndOTP [4:0] OTP result after burn
A₄A₃A₂A₁A₀ : Programmed value

Step 3. OTP programming

- (8) Hardware Reset (sending an active low reset pulse to $\overline{\text{RES}}$ pin)
- (9) Enable Oscillator (C: 0xD1) and Exit Sleep Mode (C: 0x94)
- (10) Connect an external V_{OUT} by closing the SW1 (see diagram below)
- (11) Send OTP programming commands that we find in step 1 and select the 1st or 2nd OTP (refer to the OTP status which can be find in Step 2)
(C: 0xF6, D: 0x00~0x1F, D: 0x06 for 1st OTP / C: 0xF6, D: 0x40~0x5F, D: 0x06 for 2nd OTP)
- (12) Send OTP programming command (C: 0xF8)
- (13) Wait at least 2 seconds
- (14) Disconnect an external V_{OUT} by opening the SW1
- (15) Discharge the capacitor C by closing the switch SW2 and wait at least 1 second
- (16) Open SW2
- (17) Hardware Reset
- (18) Verify the result by repeating step 1. (2) – (3)

Figure 8-14: OTP programming circuitry

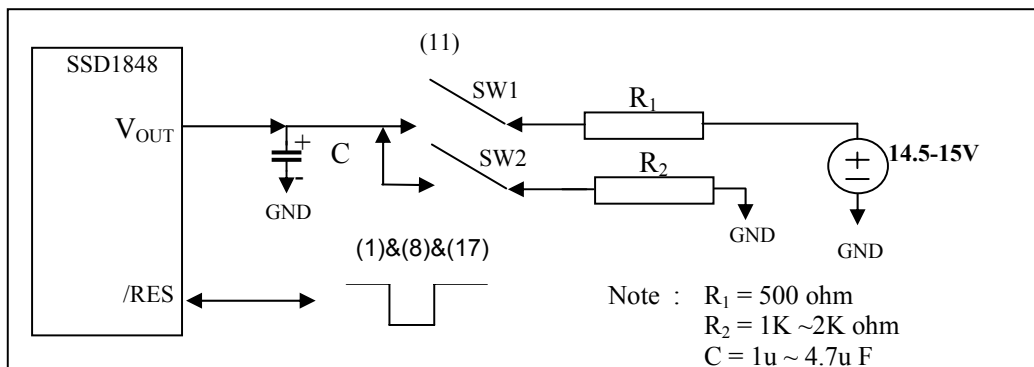
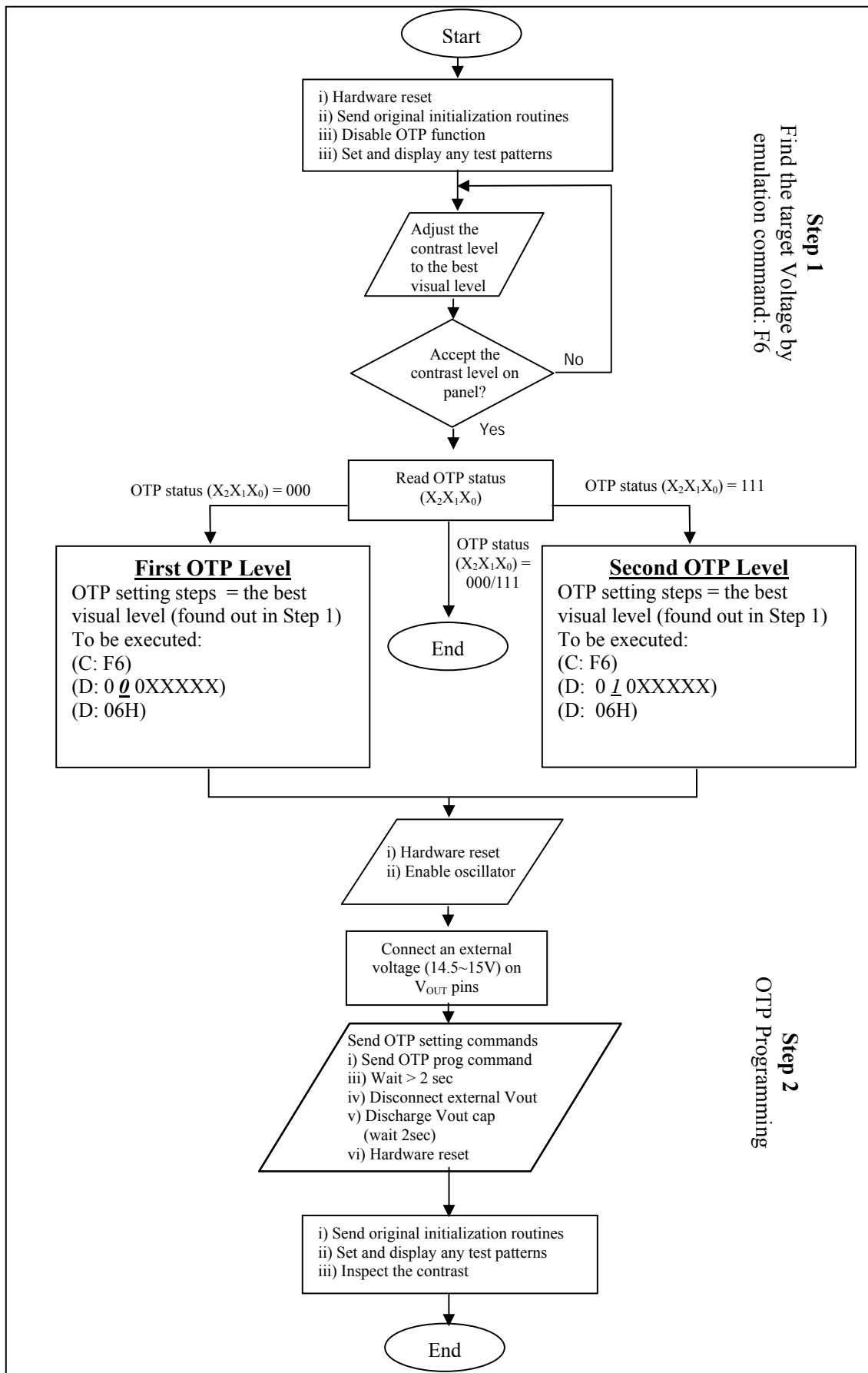


Figure 8-15: Flow chart of OTP programming Procedure



OTP Example program

Step 1 - Find the OTP offset:

1. Hardware reset by sending an active low reset pulse to $\overline{\text{RES}}$ pin
2. COMMAND(0XD1); \\ Enable oscillator;
 COMMAND(0X94); \\ Exit sleep mode;
3. COMMAND(0X20); \\ turn on the reference voltage generator, internal regulator and voltage follower; Select booster I level.
 DATA(0x0B)
4. COMMAND(0XCA) \\ Set Duty ratio
 DATA(0X10) \\ 68Mux ($[(68 / 4] - 1 = 16(\text{decimal}) / 10(\text{Hex})$)
 COMMAND(0XFB) \\ Set Biasing ratio
 DATA(0X26) \\ 1/7
5. COMMAND(0X81) \\ Set target gain and contrast.
 DATA(0X14) \\ contrast = 20
 DATA(0X05) \\ IR5 => gain = 8.52
6. \\ Set target display contents
 COMMAND(0X15) \\ set column address
 DATA(0x00) \\ set start column address at 0
 DATA(0X20) \\ set end column address at 32
 COMMAND(0X75) \\ set page address
 DATA(0X00) \\ set start page address at 0
 DATA(0X81) \\ set end page address at 129
 COMMAND(0X5C) \\ write target content to GDDRAM
 DATA(...)
 COMMAND(0xAF) \\ display on
 COMMAND(0xF6) \\ Disable OTP function and find out the best visual contrast setting
 DATA(0X00 - 1F)
 DATA(0X06)
7. OTP target = C:0xF6, D:0x(00 - 0F), D:0x06 found in previous step. Say, C:0xF6, D:0x12, D:0x06 is the best visual contrast, then OTP programming command is C:0xF6, D:0x0D, D:0x06

Step 2 – Check OTP status:

8. COMMAND(0XF3) \\ Read OTP status command
 DATA(0XA2)
 DATA(0X15)
 DATA(0X00)
 DATA(0X80) \\ 0x80 for 1st OTP, 0x9C for 2nd OTP
 COMMAND(0XF9) \\ Read command
 Read COMMAND \\ D/C=0; R/W=1 for 6800 bus interface OR D/C=0; WR=1; RD=0 for 8080 bus interface
 ***A₄A₃A₂A₁A₀ \\ OTP status A₄A₃A₂A₁A₀

Step 3 - OTP programming:

9. Hardware reset by sending an active low reset pulse to $\overline{\text{RES}}$ pin
10. COMMAND(0XD1) \\ Enable Oscillator
11. COMMAND(0x94) \\ Exit Sleep Mode
12. Connect a external V_{OUT} (14.5V~15V)
13. COMMAND(0XF6) \\ Set OTP target and program 1st OTP
 DATA (0x0D) \\ 000 $X_4X_3X_2X_1X_0$, where $X_4X_3X_2X_1X_0$ is the inverted OTP contrast steps
 DATA(0x06) \\ Enable the OTP setting
14. COMMAND(0XF8) \\ Send the OTP programming command.
15. Wait at least 2 seconds for programming wait time.
16. Disconnect an external V_{out}
17. Discharge the V_{out} 's capacitor
18. Hardware reset by sending an active low reset pulse to $\overline{\text{RES}}$ pin

Verify the result:

19. After OTP programming, procedure 2 to 5 are repeated for inspection of the contrast on the panel.

8.24 OTP Programming (F8 H)

This command initiate OTP program LCD driver with OTP offset value.

8.25 Set 1st Com line (44 H)

This command specifies 1st Com line function. Byte A specifies the first display line which the graphic start to display. At POR, the 1st Com line is set to 00000000b (0 lines).

8.26 Read display data mode (5D H)

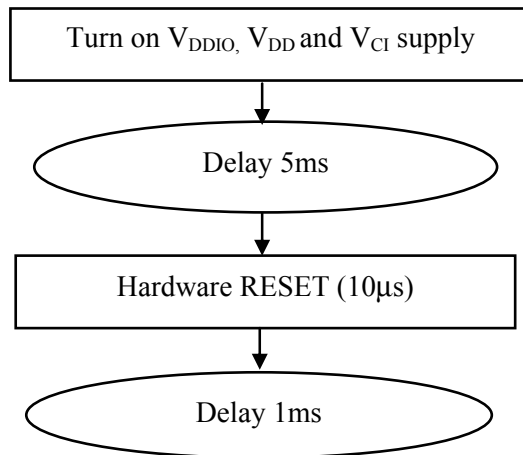
This command is used to execute the read display data mode. The display data byte is directly read from the GDDRAM. Please be noted that the $\overline{\text{D/C}}$ signal should be set to high during the display data is read from to the GDDRAM.

8.27 Register Status Read (F9 H)

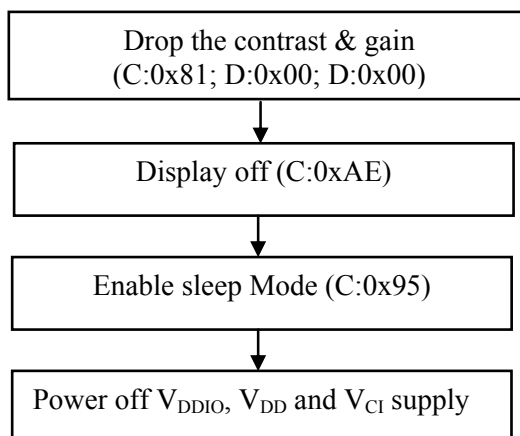
This command aims to read the register status. The OTP value and OTP register status can be read.

9 POWER ON/OFF SEQUENCE

Recommended Power On Sequence



Recommended Power Off Sequence



10 MAXIMUM RATINGS

Table 10-1: Maximum Ratings (Voltage Referenced to VSS)

Symbol	Parameter	Value	Unit
V _{DD}	Supply Voltage	-0.3 to +4.0	V
V _{OUT}		-0.3 to 15	V
V _{CI}	Input Voltage	VSS-0.3 to 4.0	V
I	Current Drain Per Pin Excluding V _{DD} and V _{SS}	25	mA
T _A	Operating Temperature	-40 to +85	°C
T _{stg}	Storage Temperature	-65 to +150	°C
R _{on}	Input Resistance	1000	ohm

Maximum ratings are those values beyond which damages to the device may occur. Functional operation should be restricted to the limits in the Electrical Characteristics tables or Pin Description section

This device contains circuitry to protect the inputs against damage due to high static voltages or electric fields; however, it is advised that normal precautions to be taken to avoid application of any voltage higher than maximum rated voltages to this high impedance circuit. For proper operation it is recommended that V_{CI} and V_{out} be constrained to the range $VSS < VDDIO \leq VDD \leq VCI < VOUT$. Reliability of operation is enhanced if unused input is connected to an appropriate logic voltage level (e.g., either VSS or VDDIO). Unused outputs must be left open. This device may be light sensitive. Caution should be taken to avoid exposure of this device to any light source during normal operation. This device is not radiation protected.

11 DC CHARACTERISTICS

Table 11-1: DC Characteristics (Unless otherwise specified, Voltage Referenced to VSS, V_{DDIO}=V_{DD}=V_{CI}=2.775V, T_A=-40 to 85°C)

Symbol	Parameter	Test Condition	Min	Typ	Max	Unit
V _{DD}	System power supply pins of the logic block Range	Recommend Operating Voltage Possible Operating Voltage	2.4	2.7	3.3	V
V _{DDIO}	System power supply pins of logic block Range	Recommend Operating Voltage Possible Operating Voltage	1.7	-	V _{DD}	V
V _{CI}	Booster Reference Supply Voltage Range	Recommend Operating Voltage Possible Operating Voltage	V _{DD}	-	3.3	V
I _{AC}	Access Mode Supply Current Drain (V _{ci} Pins)	V _{CI} = 2.775V, Voltage Generator On, 6X DC-DC, Write accessing, T _{cy} = 5MHz, Frame Freq. = 35Hz, Display On, no panel attached.	-	450	550	μA
I _{DP}	Display Mode Supply Current Drain (V _{ci} Pins)	V _{CI} = 2.775V, V _{OUT} = 12V, Voltage Generator On, 6X DC-DC Converter Enabled, R/W(WR) Halt, Frame Freq. = 35Hz, Display On, no panel attached.	150	260	450	μA
I _{SLEEP}	Sleep Mode Supply Current Drain (V _{DDIO} , V _{DD} and V _{CI} Pins)	V _{CI} = 2.775V, Driver Reset (25°C)	-	0.5	2	μA
		V _{CI} = 2.775V, LCD Driving Waveform from On to Off, Oscillator from On to Off, R/W(WR) halt. (25°C)	-	15	70	uA
I _{StandBy}	Stand By Mode Supply Current Drain (V _{DDIO} , V _{DD} and V _{CI} Pins)	V _{CI} = 2.775V, Oscillator On, LCD Driving Waveform Off	20	38	70	μA
V _{OUT}	LCD Driving Voltage Generator Output (V _{out} Pin) V _{OUT} Converter Efficiency	Display On, Voltage Generator Enabled, DC-DC Converter Enabled, Typ. Osc. Freq., Regulator Enabled, Divider Enabled.	-	-	15	V
		4X boost, no panel loading	-	99	99	%
		5X boost, no panel loading	-	96	99	
		6X boost, no panel loading	-	95	99	
		7X boost, no panel loading	-	92	98	
V _{OH1}	Logic High Output Voltage	I _{out} = -100uA	0.9*V _{DDIO}	-	V _{DDIO}	V
V _{OL1}	Logic Low Output Voltage	I _{out} = 100uA	0.0	-	0.1*V _{DDIO}	V
V _{IH1}	Logic High Input voltage		0.8*V _{DDIO}	-	V _{DDIO}	V
V _{IL1}	Logic Low Input voltage		0.0	-	0.2*V _{DDIO}	V
I _{OH}	Logic High Output Current Source	V _{out} = V _{DD} -0.4V	50	-	-	μA
I _{OL}	Logic Low Output Current Drain	V _{out} = 0.4V	-	-	-50	μA
I _{OZ}	Logic Output Tri-state Current Drain Source		-1	-	1	μA
I _{IL} /I _{IH}	Logic Input Current		-1	-	1	μA
C _{IN}	Logic Pins Input Capacitance		-	5	7.5	pF
ΔV _{OUT}	Variation of V _{OUT} Output (V _{DD} is fixed)	Regulator Enabled, Internal Contrast Control Enabled, Set Contrast Control Register = 0	-	+/-2	-	%
TC0	Temperature Coefficient 0 (POR)	Voltage Regulator Enabled	-0.03	-0.01	0.00	%/°C
TC1	Temperature Coefficient 1		-0.07	-0.06	-0.05	%/°C

The formula for the temperature coefficient is:

$$TC(\%) = \frac{V_{out\ at\ 50^\circ\ C} - V_{out\ at\ 0^\circ\ C}}{50^\circ\ C - 0^\circ\ C} \times \frac{1}{V_{out\ at\ 25^\circ\ C}} \times 100\%$$

12 AC CHARACTERISTICS

Table 12-1: AC Characteristics
(Unless otherwise specified, Voltage Referenced to V_{SS} , $V_{DDIO}=V_{DD}=V_{CI}=2.775V$, $T_A = 25^\circ C$)

Symbol	Parameter	Test Condition	Min	Typ	Max	Unit
F_{FRM}	Frame Frequency for: 130 x 130 MUX Mode	$V_{CI}=2.775V$, Display ON, Internal Oscillator Enabled	-	56.4	90	Hz

Table 12-2: Parallel 6800-series Interface Timing Characteristics
 ($T_A = -40$ to 85°C , $V_{DDIO}=2.775\text{V}$, $2.775\text{V} \leq V_{DD} \leq V_{CI} \leq 3.3\text{V}$)

Symbol	Parameter	Min	Typ	Max	Unit
t_{cycle}	Clock Cycle Time (write cycle)	-	100	-	ns
PW_{CSL}	Control Pulse Low Width	-	50	-	ns
PW_{CSH}	Control Pulse High Width	-	50	-	ns
t_{F}	Fall Time	-	-	10	ns
t_{R}	Rise Time	-	-	10	ns
t_{AS}	Address Setup Time	-	10	-	ns
t_{AH}	Address Hold Time	-	10	-	ns
t_{DSW}	Data Setup Time	-	60	-	ns
t_{DHW}	Data Hold Time	-	25	-	ns
t_{ACC}	Data Access Time	-	275	-	ns
t_{OH}	Output Hold time	-	125	-	ns

Figure 12-1: Parallel 6800-series Interface Timing Characteristics (PS0 = H, PS1 = H)

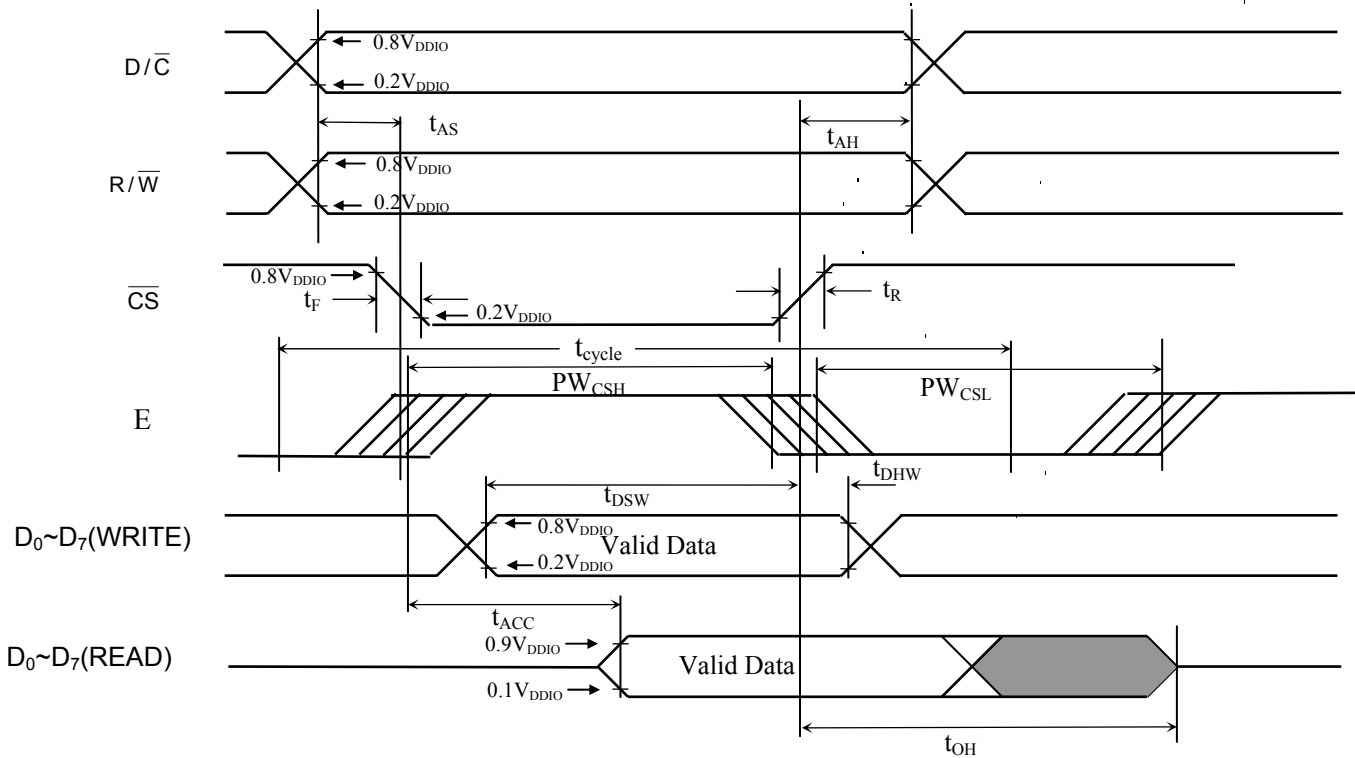
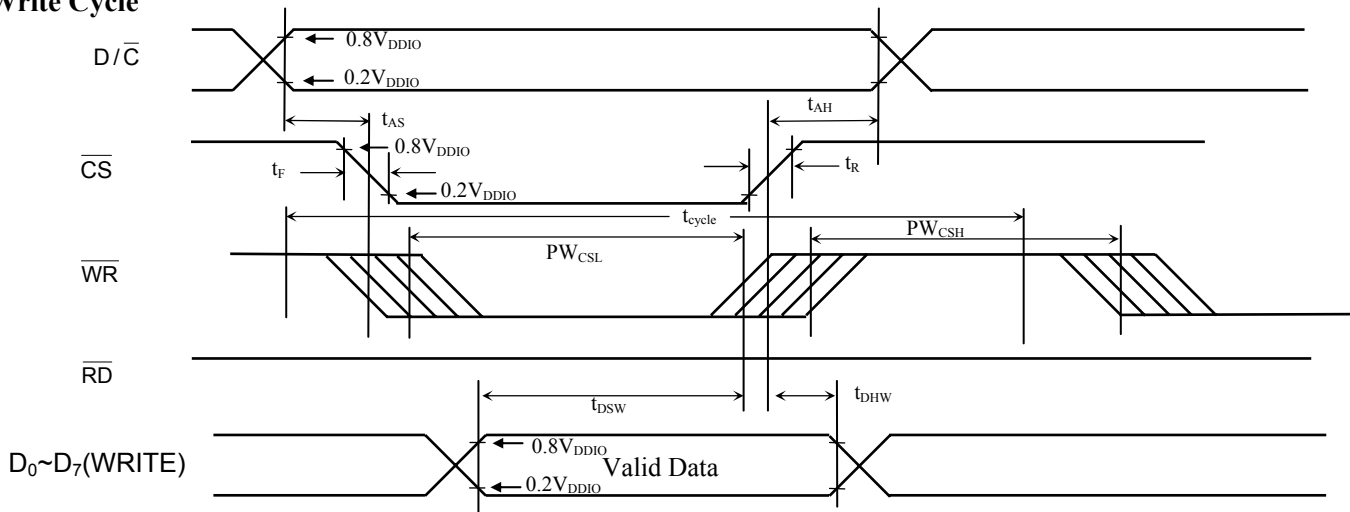


Table 12-3: Parallel 8080-series Interface Timing Characteristics
 ($T_A = -40$ to 85°C , $V_{\text{DDIO}}=2.775\text{V}$, $2.775\text{V} \leq V_{\text{DD}} \leq V_{\text{CI}} \leq 3.3\text{V}$)

Symbol	Parameter	Min	Typ	Max	Unit
t_{cycle}	Clock Cycle Time (write cycle)	-	100	-	ns
PW_{CSL}	Control Pulse Low Width	-	50	-	ns
PW_{CSH}	Control Pulse High Width	-	50	-	ns
t_{F}	Fall Time	-	-	10	ns
t_{R}	Rise Time	-	-	10	ns
t_{AS}	Address Setup Time	-	10	-	ns
t_{AH}	Address Hold Time	-	10	-	ns
t_{DSW}	Data Setup Time	-	60	-	ns
t_{DHW}	Data Hold Time	-	25	-	ns
t_{ACC}	Data Access Time	-	275	-	ns
t_{OH}	Output Hold time	-	125	-	ns

Figure 12-2: Parallel 8080-series Interface Timing Characteristics (PS0 = H, PS1 = L)

Write Cycle



Read Cycle

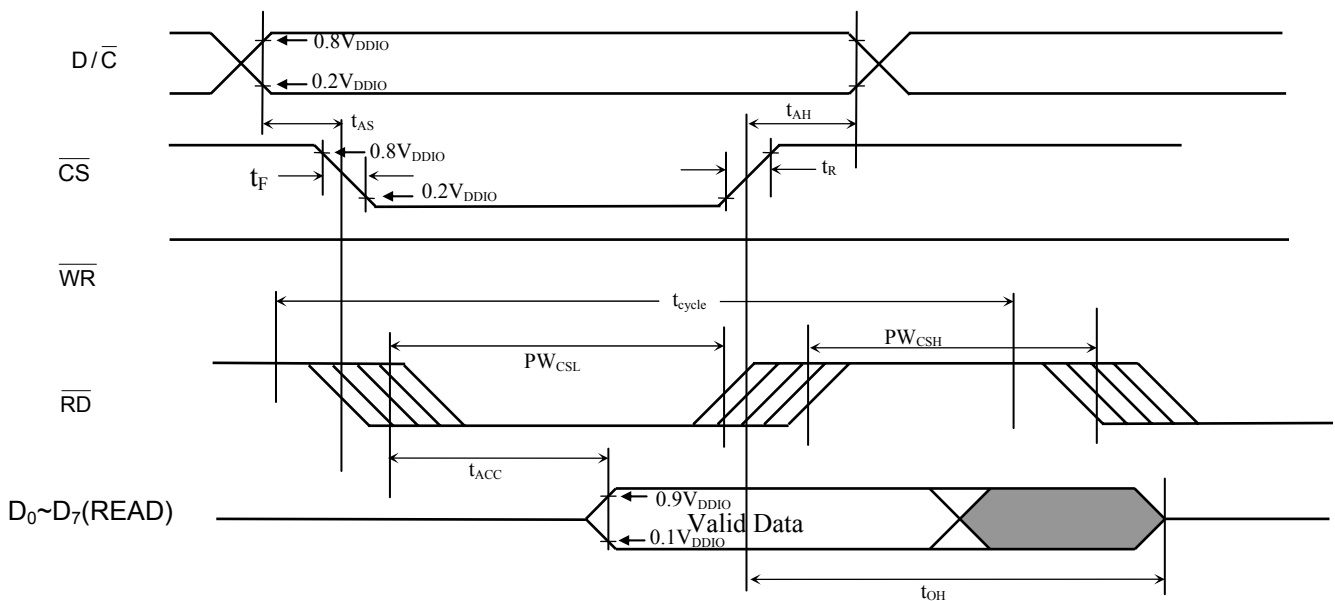


Table 12-4: 4-Wires Serial Timing Characteristics
 ($T_A = -40$ to 85°C , $V_{DDIO}=2.775\text{V}$, $2.775\text{V} \leq V_{DD} \leq V_{CI} \leq 3.3\text{V}$)

Symbol	Parameter	Min	Typ	Max	Unit
t_{cycle}	Clock Cycle Time	-	100	-	ns
f_{CLK}	Serial Clock Cycle Time SPI Clock tolerance = +/- 2 ppm	-	10	-	MHz
t_{AS}	Register select Setup Time	20	-	-	ns
t_{AH}	Register select Hold Time	30	-	-	ns
t_{CSS}	Chip Select Setup Time	-	35	-	ns
t_{CSH}	Chip Select Hold Time	-	50	-	ns
t_{DSW}	Write Data Setup Time	10	-	-	ns </td
t_{DHW}	Write Data Hold Time	10	-	-	ns
t_{F}	Fall Time	-	-	10	ns
t_{R}	Rise Time	-	-	10	ns
t_{CLKL}	Clock Low Time	-	50	-	ns
t_{CLKH}	Clock High Time	-	50	-	ns

Figure 12-3: 4-Wires Serial Timing Characteristics (PS0 = L, PS1 = H)

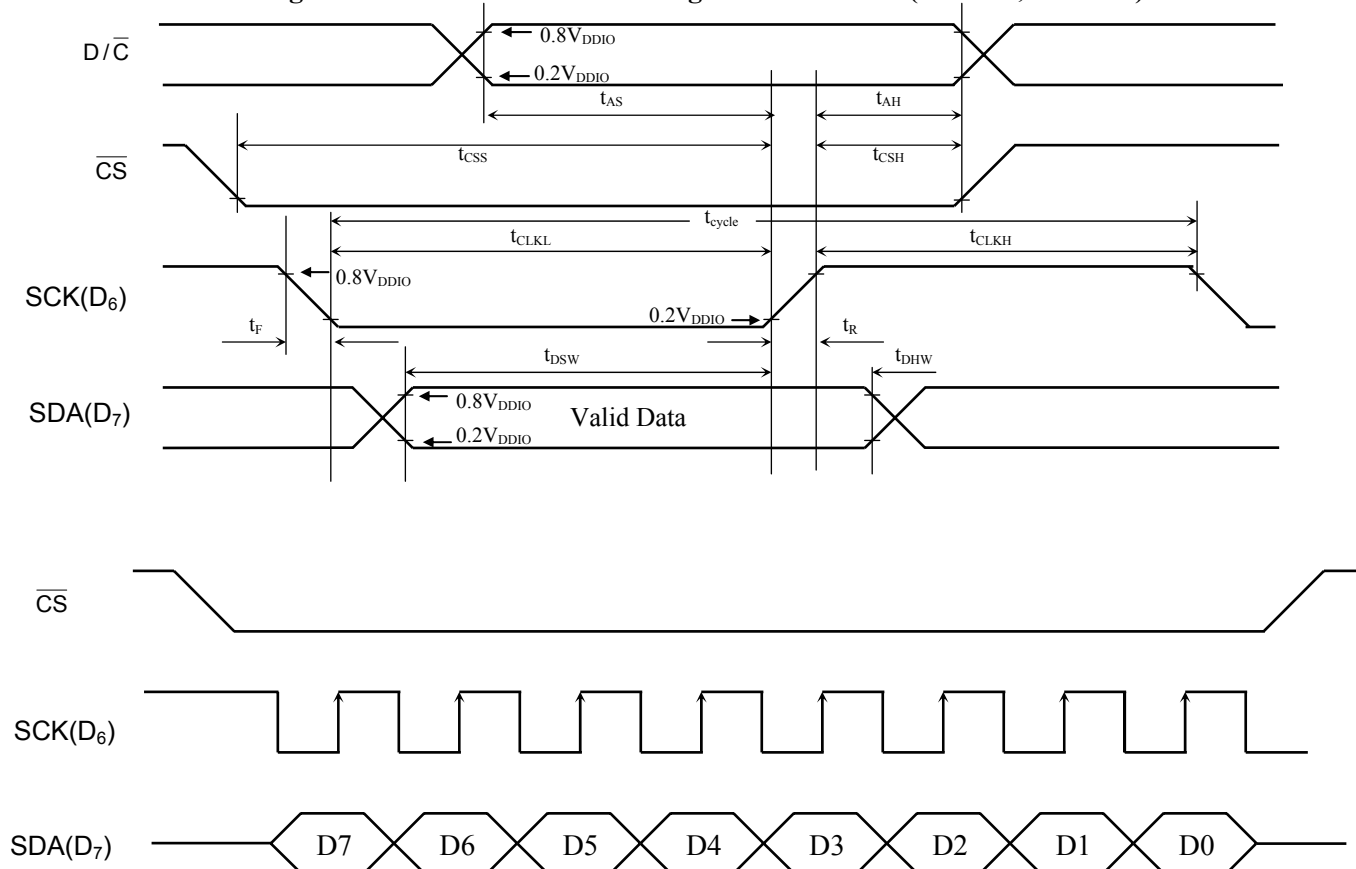
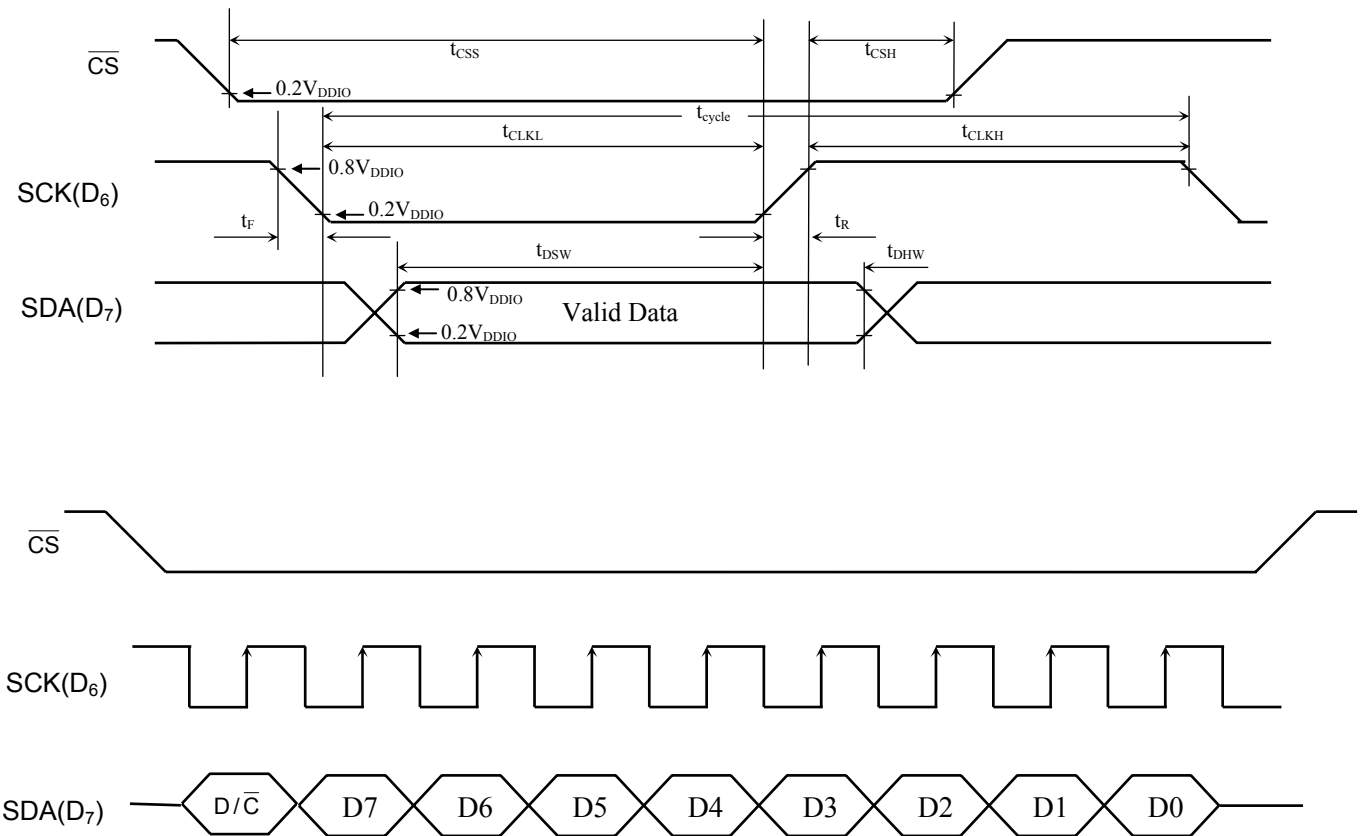


Table 12-5: 3-Wires Serial Timing Characteristics
 ($T_A = -40$ to 85°C , $V_{DDIO}=2.775\text{V}$, $2.775\text{V} \leq V_{DD} \leq V_{CI} \leq 3.3\text{V}$)

Symbol	Parameter	Min	Typ	Max	Unit
t_{cycle}	Clock Cycle Time	-	100	-	ns
f_{CLK}	Serial Clock Cycle Time SPI Clock tolerance = +/- 2 ppm	-	10	-	MHz
t_{CSS}	Chip Select Setup Time	-	35	-	ns
t_{CSH}	Chip Select Hold Time	-	50	-	ns
t_{DSW}	Write Data Setup Time	-	35	-	ns
t_{OHW}	Write Data Hold Time	-	50	-	ns
t_{F}	Fall Time	-	-	10	ns
t_{R}	Rise Time	-	-	10	ns
t_{CLKL}	Clock Low Time	-	50	-	ns
t_{CLKH}	Clock High Time	-	50	-	ns

Figure 12-4: 3-Wires Serial Timing Characteristics (PS0 = L, PS1 = L)



13 Application Diagram

Figure 13-1: Application Examples I (4-wires SPI mode)

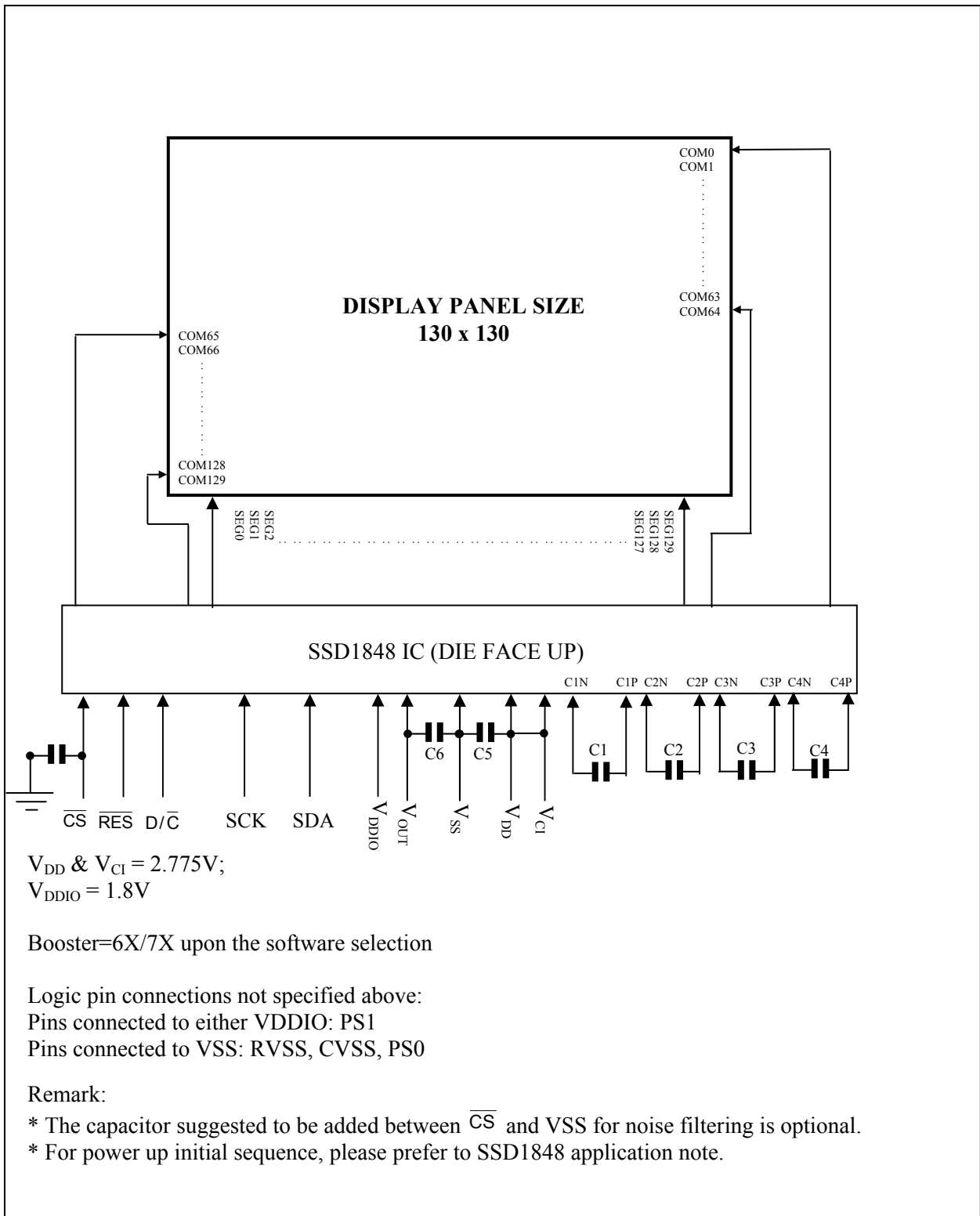


Figure 13-2: Application Examples II (6800 PPI mode)

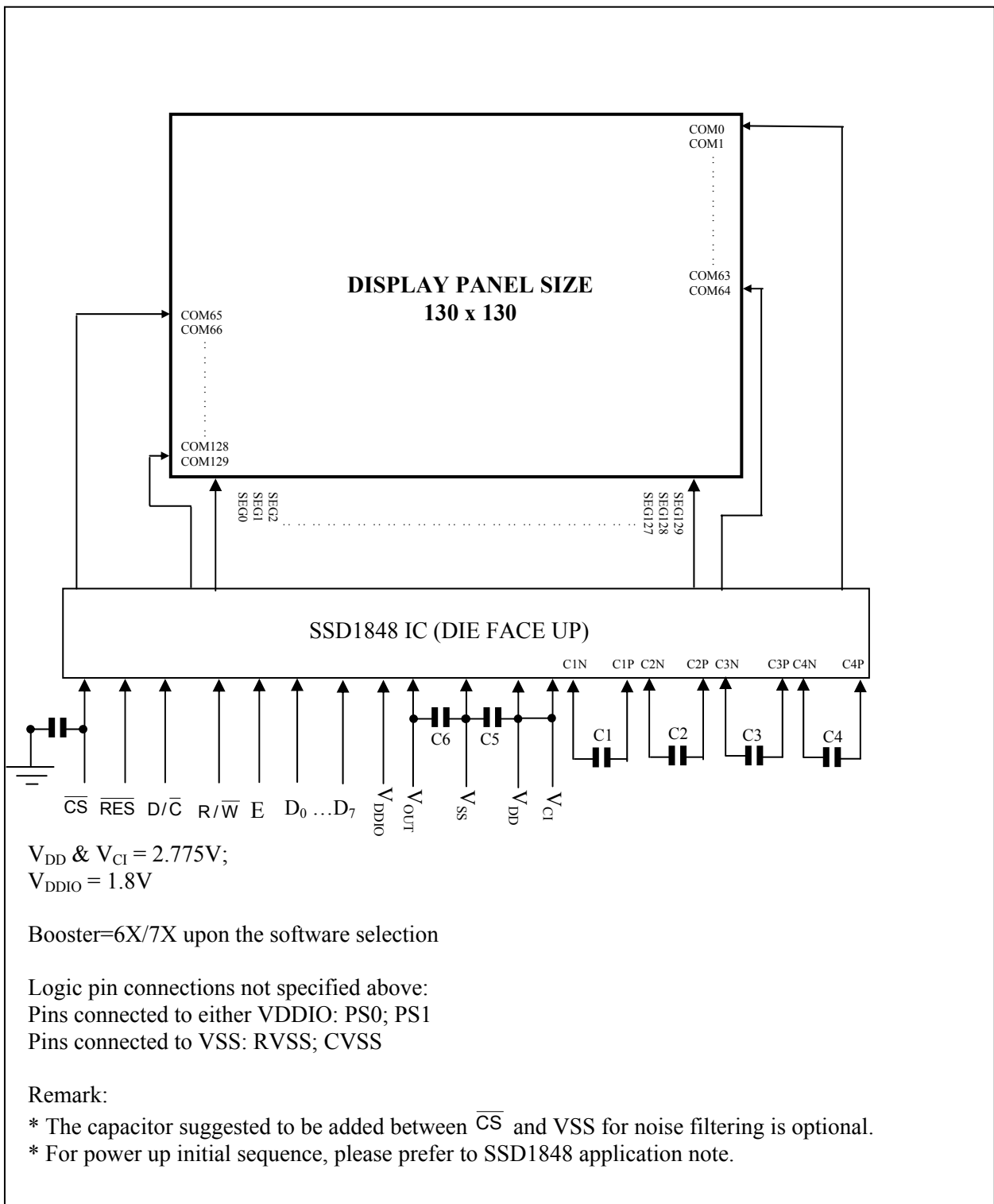
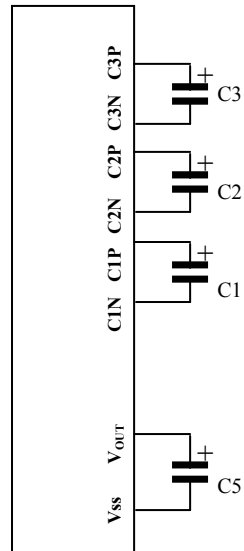
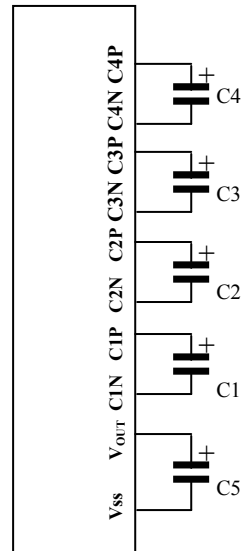


Figure 13-3: Booster configuration

4X/5X booster



6X/7X booster



Note:

C1, C2, C3 and C4 $\geq 0.1\mu\text{F}$

C5 $\geq 1\mu\text{F}$

C5 \geq C1, C2, C3 and C4

Voltage rating:

C1: 1 x VCI

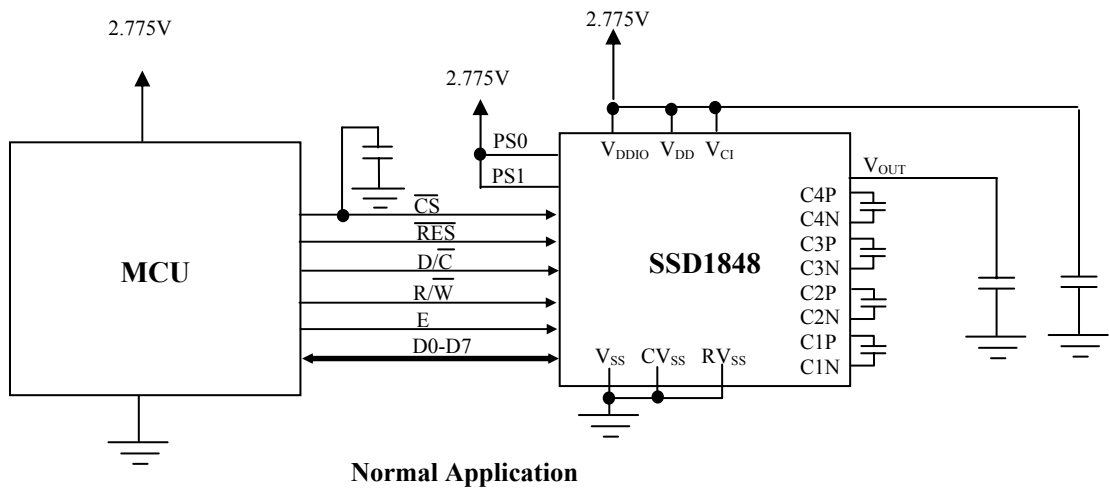
C2: 2 x VCI

C3: 3 x VCI

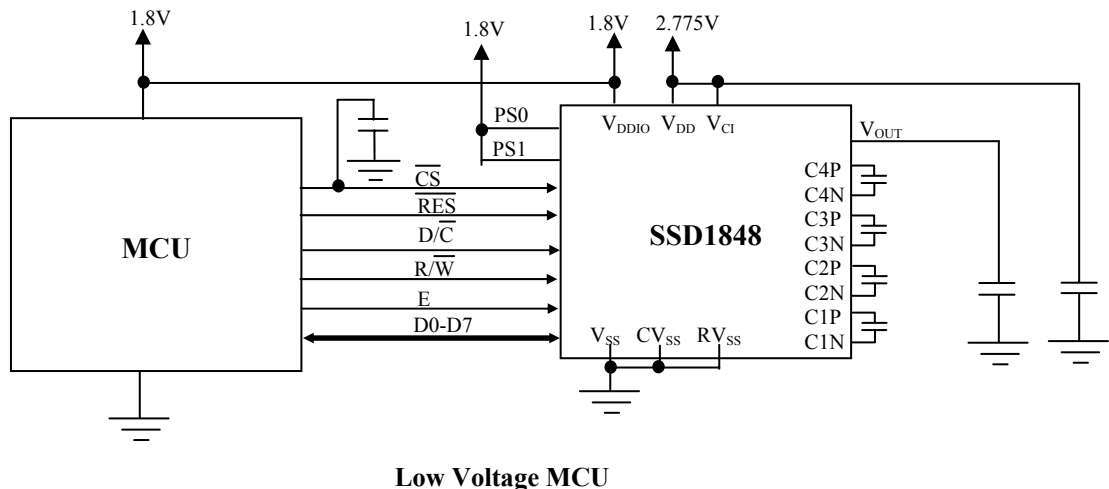
C4: 5 x VCI

C5: 25V

Figure 13-4: Applications notes for VDD/VDDIO connection



Normal Application

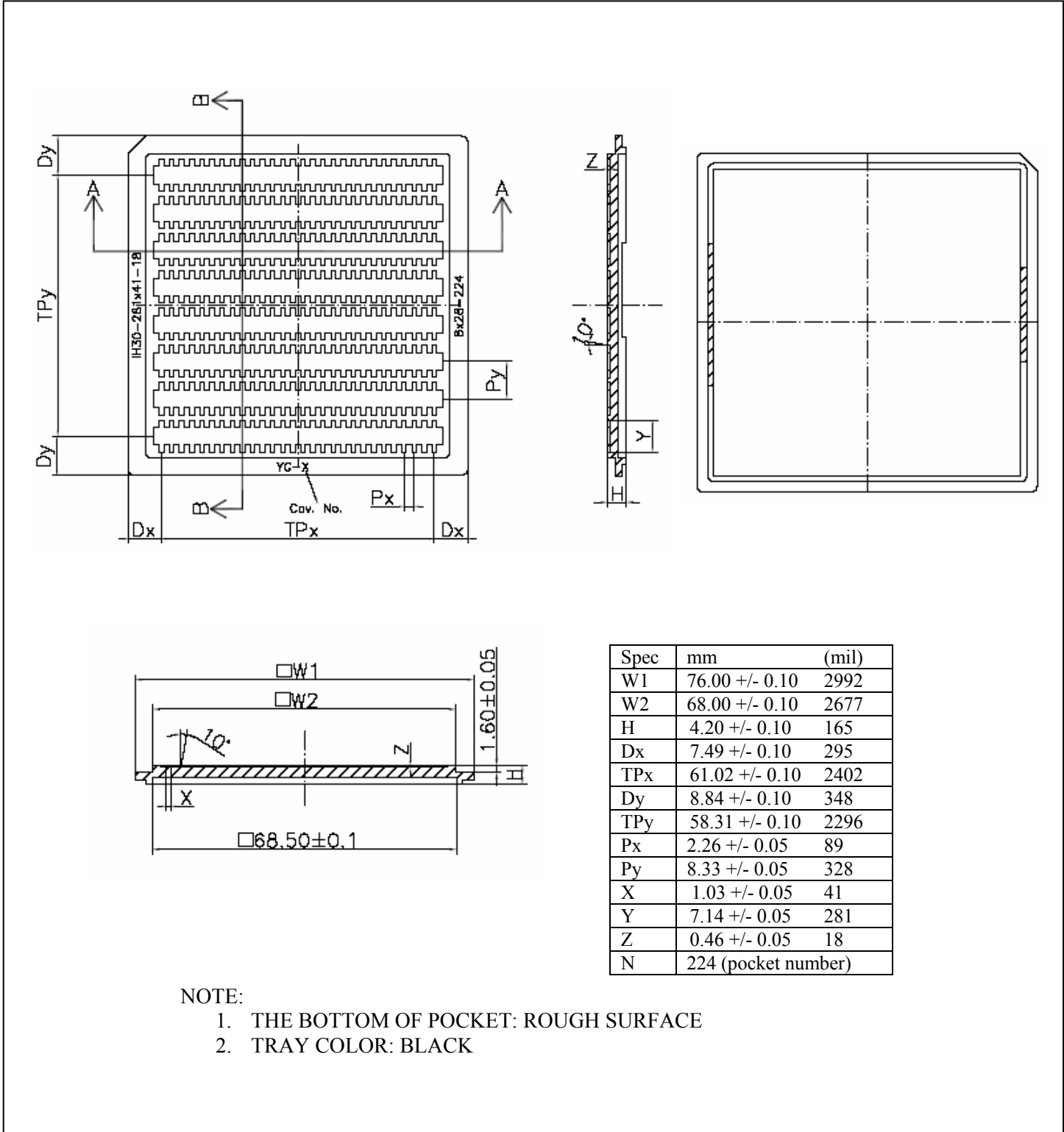


Low Voltage MCU

Remark: The capacitor suggested to be added between \overline{CS} and V_{SS} for noise filtering is optional.

14 PACKAGE INFORMATION

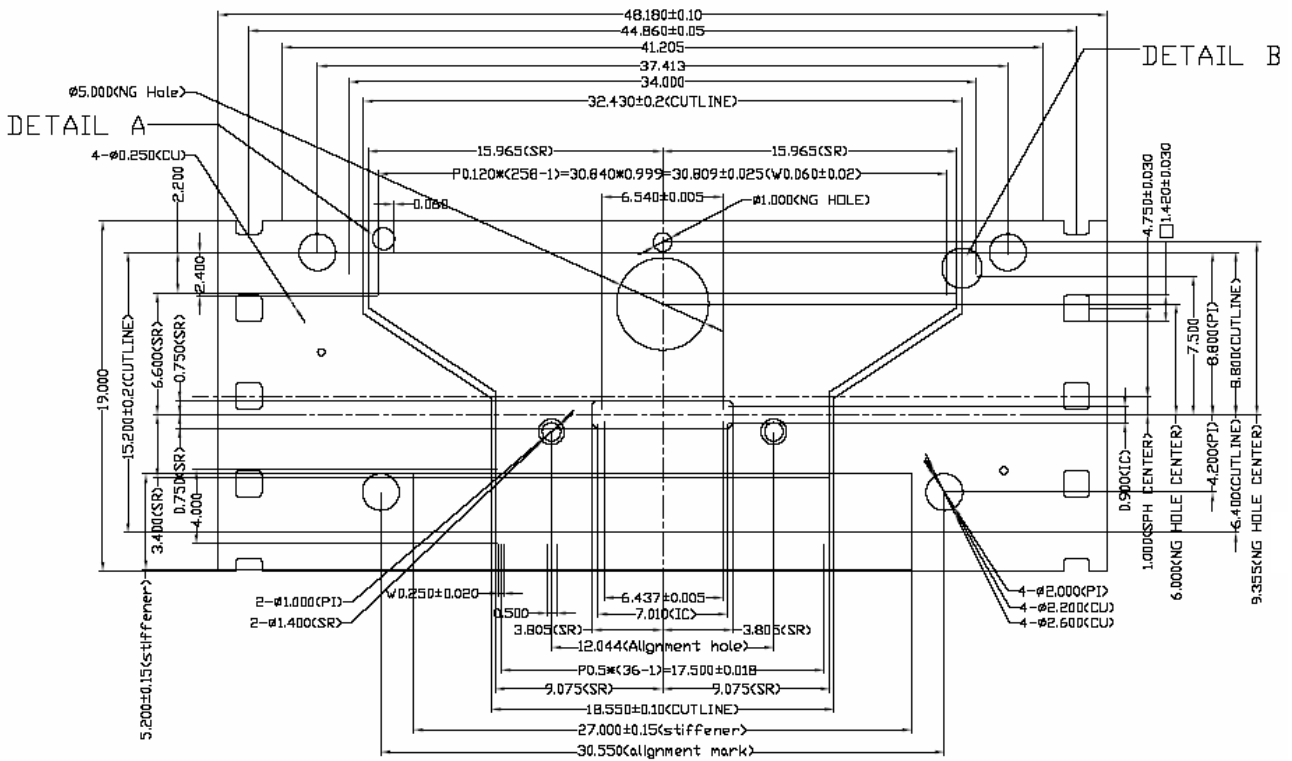
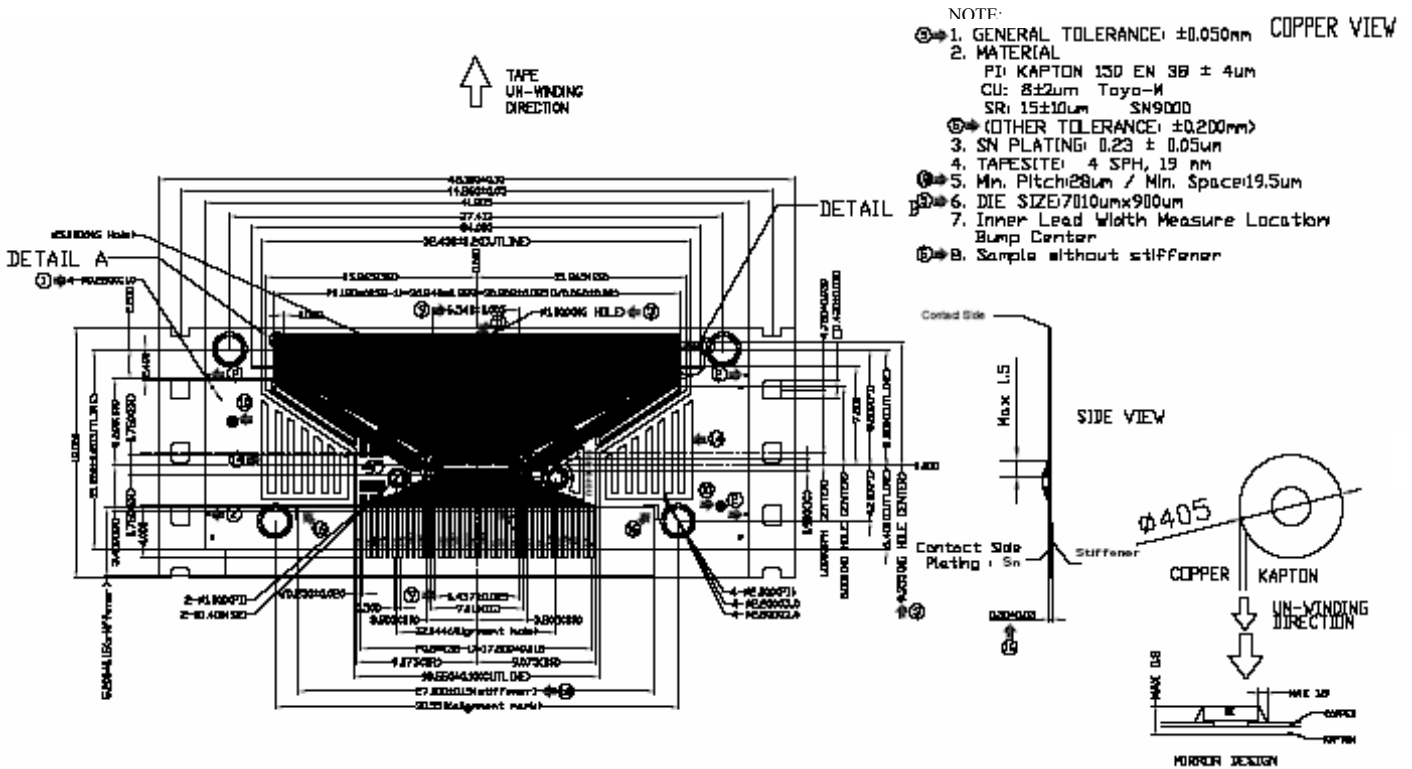
14.1 DIE TRAY DIMENSIONS

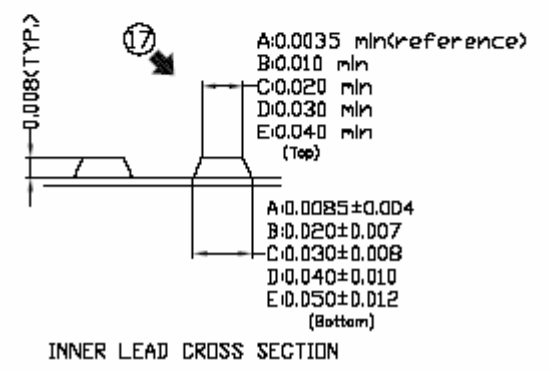
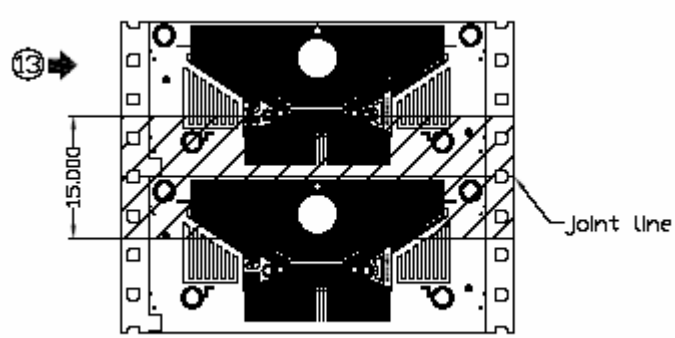
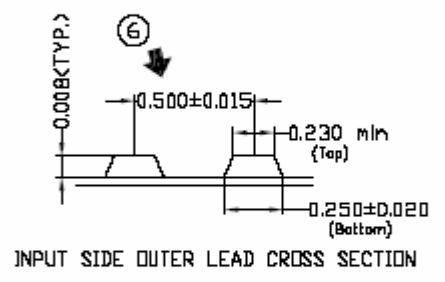
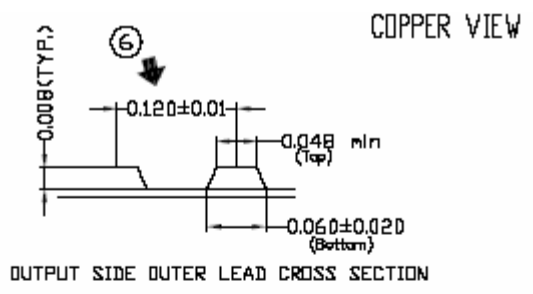
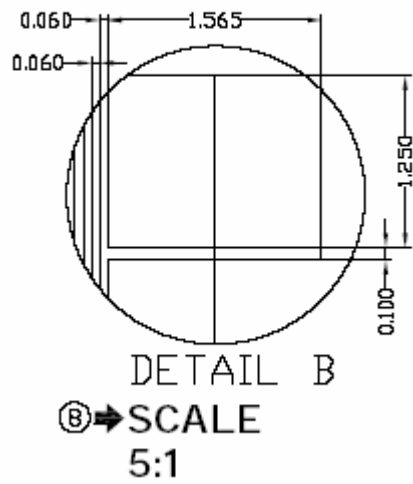
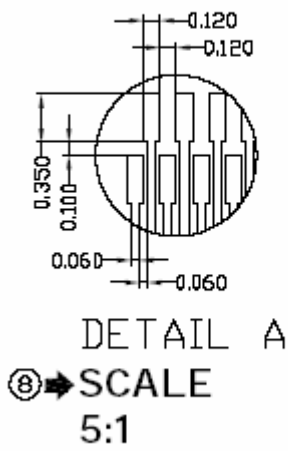


Spec	mm	(mil)
W1	76.00 +/- 0.10	2992
W2	68.00 +/- 0.10	2677
H	4.20 +/- 0.10	165
D_x	7.49 +/- 0.10	295
TP_x	61.02 +/- 0.10	2402
D_y	8.84 +/- 0.10	348
TP_y	58.31 +/- 0.10	2296
P_x	2.26 +/- 0.05	89
P_y	8.33 +/- 0.05	328
X	1.03 +/- 0.05	41
Y	7.14 +/- 0.05	281
Z	0.46 +/- 0.05	18
N	224 (pocket number)	


- NOTE:
1. THE BOTTOM OF POCKET: ROUGH SURFACE
 2. TRAY COLOR: BLACK

15 SSD1848U COF DRAWING





Solomon Systech reserves the right to make changes without notice to any products herein. Solomon Systech makes no warranty, representation or guarantee regarding the suitability of its products for any particular purpose, nor does Solomon Systech assume any liability arising out of the application or use of any product or circuit, and specifically disclaims any, and all, liability, including without limitation consequential or incidental damages. “Typical” parameters can and do vary in different applications. All operating parameters, including “Typical” must be validated for each customer application by the customer’s technical experts. Solomon Systech does not convey any license under its patent rights nor the rights of others. Solomon Systech products are not designed, intended, or authorized for use as components in systems intended for surgical implant into the body, or other applications intended to support or sustain life, or for any other application in which the failure of the Solomon Systech product could create a situation where personal injury or death may occur. Should Buyer purchase or use Solomon Systech products for any such unintended or unauthorized application, Buyer shall indemnify and hold Solomon Systech and its offices, employees, subsidiaries, affiliates, and distributors harmless against all claims, costs, damages, and expenses, and reasonable attorney fees arising out of, directly or indirectly, any claim of personal injury or death associated with such unintended or unauthorized use, even if such claim alleges that Solomon Systech was negligent regarding the design or manufacture of the part.

All Solomon Systech Products complied with six (6) hazardous substances limitation requirement per European Union (EU) “Restriction of Hazardous Substance (RoHS) Directive (2002/95/EC)” and China standard “电子信息产品污染控制标识要求 (SJ/T11364-2006)” with control Marking Symbol . Hazardous Substances test report is available upon requested.

<http://www.solomon-systech.com>